

**HAZ METAL**  
**FIXING SYSTEMS**

## BTG

HDM MORTAR ANCHOR FIXING SYSTEM

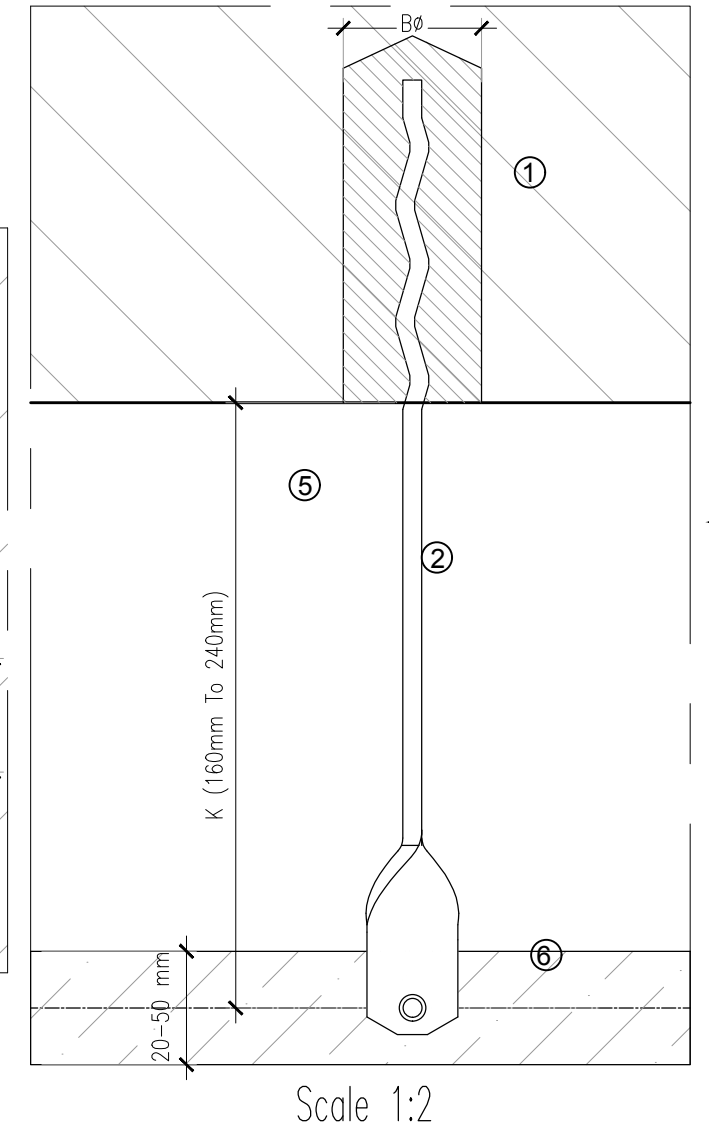
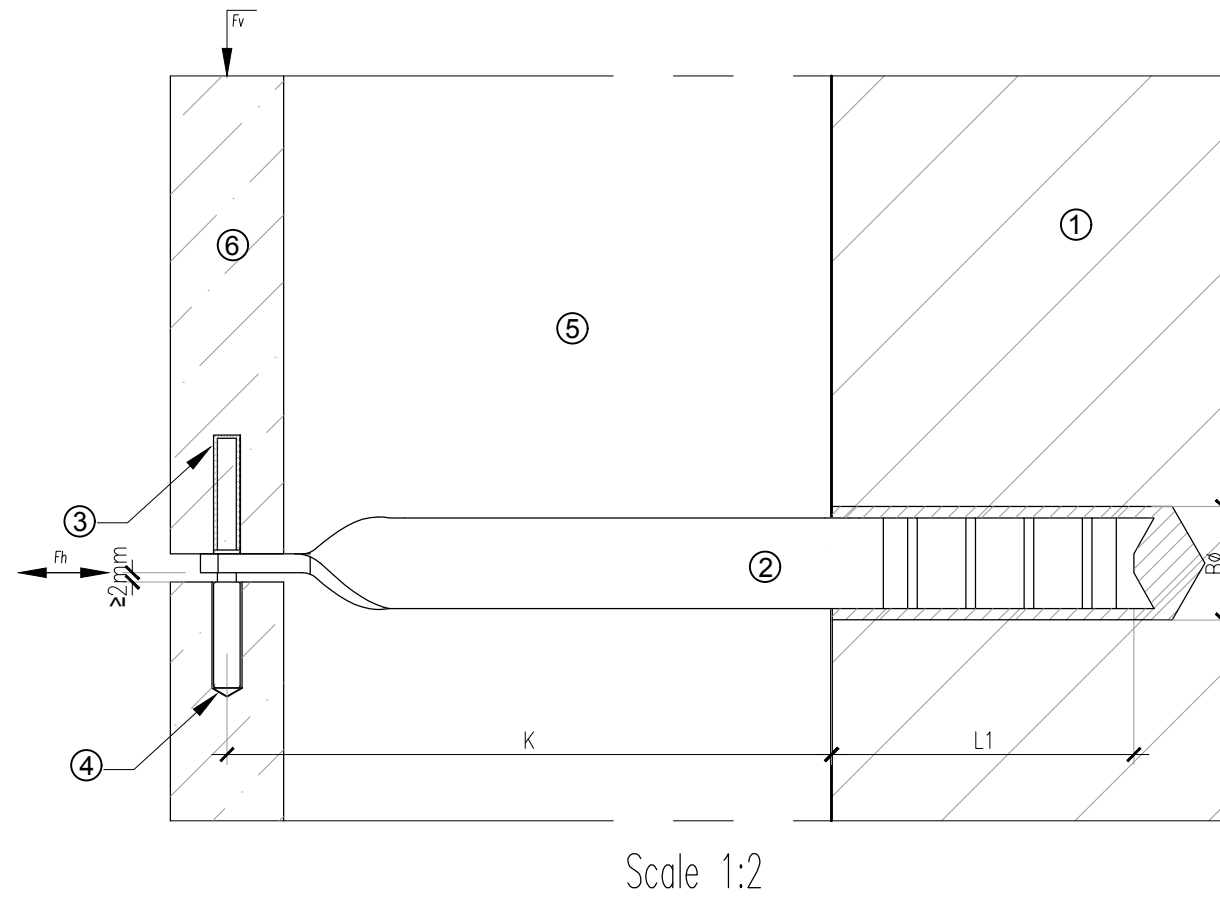
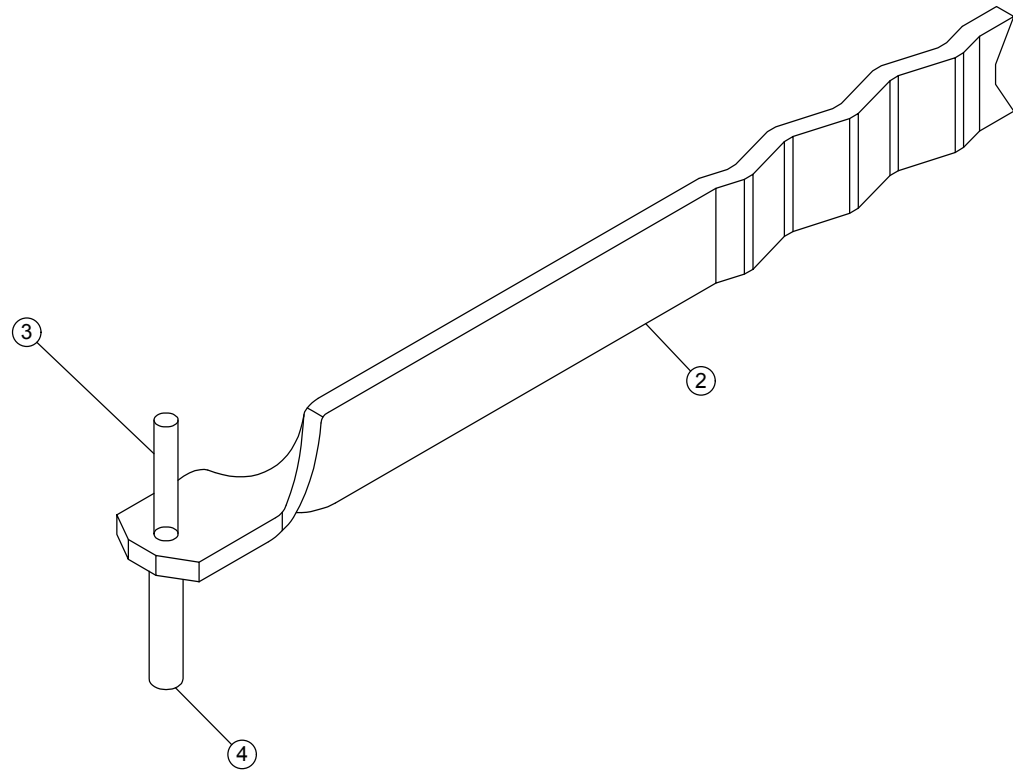
### Concept Drawings

Series: HAZCD-BTG-ST

Direct Fixing System For Rain Screen Stone  
Cladding System for Installation at Vertical  
and Horizontal Joints



# BTG



Legend	
1	Substrate
2	BTG Anchor Body
3	FLANGED PIN
4	PLASTIC TUBE
5	Cavity
6	Stone Cladding Panel

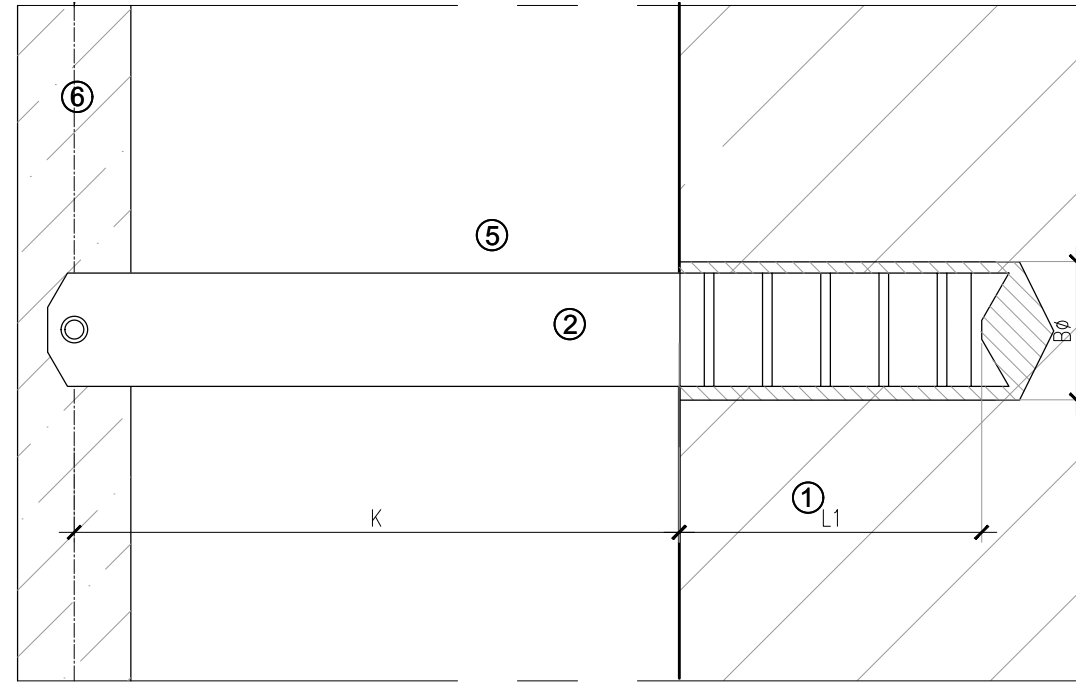
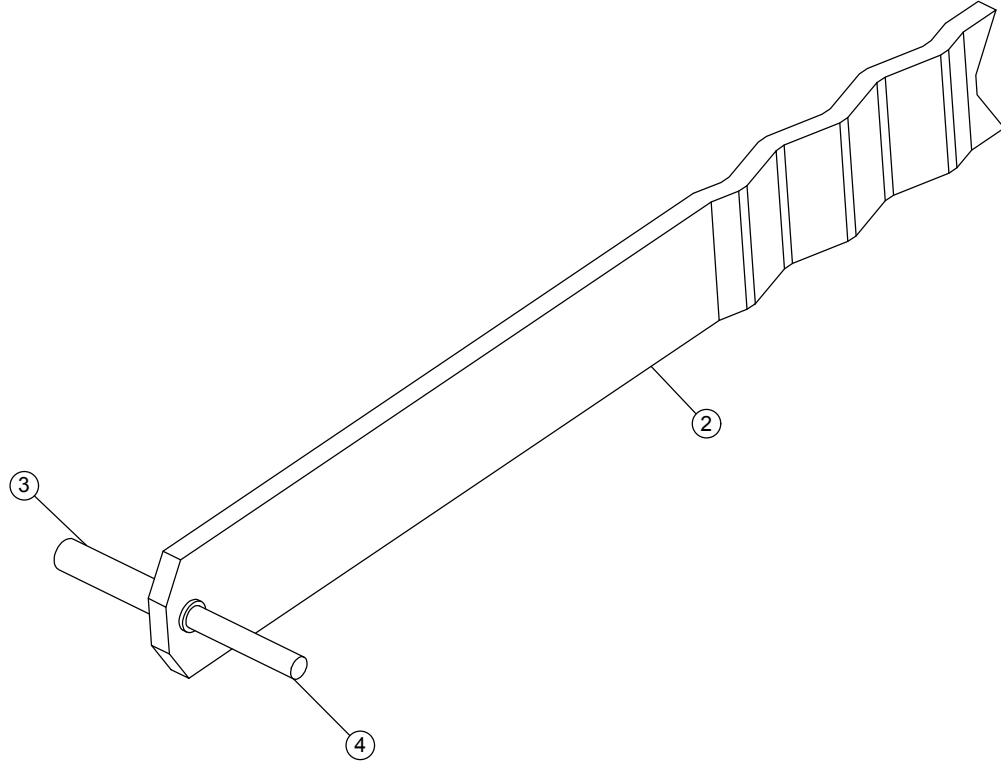
Product Code	Projection K(mm)	Perm. Load Fv(kN)	Wind Load Fv(kN)	Embed L L1(mm)	F. Pin Size (mm)	Bore Dia. BØ (mm)	Anchor Thickness(mm)	
BTG-316	160	300	393	80	Ø5	30	5	
BTG-318	180					32		
BTG-320	200					34	6	
BTG-322	220							
BTG-324	240	36						
BTG-516	160		38					
BTG-518	180	500	655					
BTG-520	200							



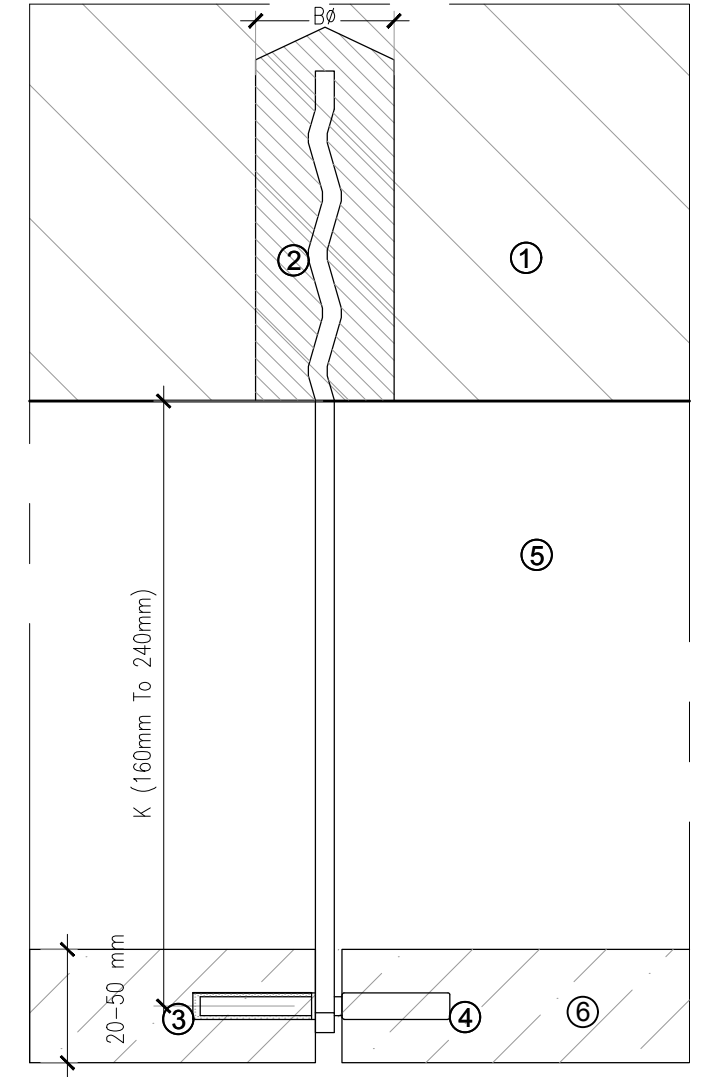
HAZ METAL Sanayi ve Ticaret A.S  
 PO Box 241 31200 Iskenderun / Turkey  
 Tel: +90 326 6262050 Faks: 6262045  
 info@hazmetal.com / www.hazmetal.com.

Title :		Natural Stone Facade - Built-up Cavity Wall - Mortar Anchor System BTG Specification					
Drawing No.	HAZCD-BTG-ST-01						
Series	Concept Drawings - Natural Stone Fixing System - BTG Support Anchors						
Revision	01	Scale	As Shown	Paper Size :	A3	Page :	1/14

# BTN



Vertical Section Scale 1:2



Horizontal Section Scale 1:2

Legend	
1	Substrate
2	BTG Anchor Body
3	FLANGED PIN
4	PLASTIC TUBE
5	Cavity
6	Stone Cladding Panel

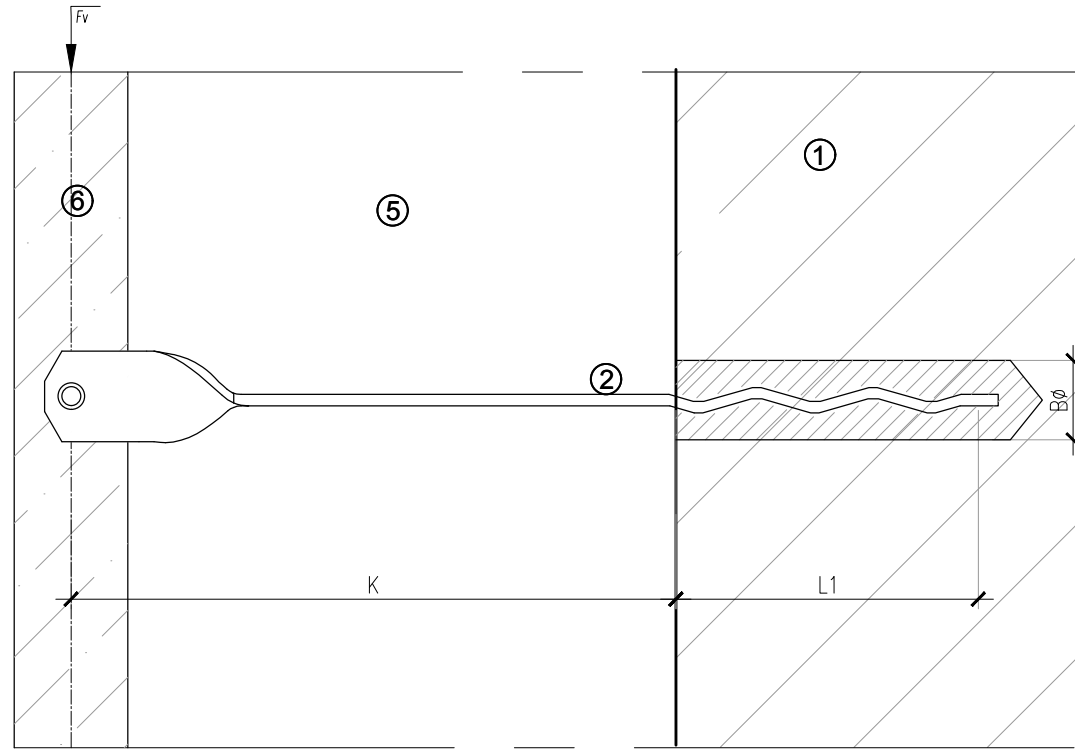
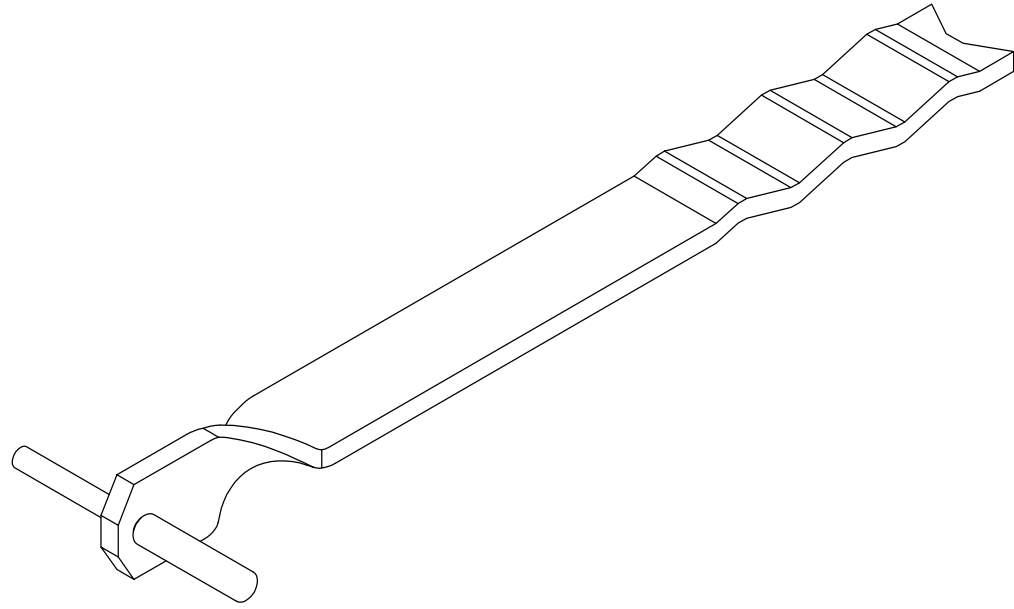
Product Code	Projection K(mm)	Dead Load Kdw(N)	Wind Load Fv(kN)	Embed L L1(mm)	F. Pin Size (mm)	Bore Dia. BØ (mm)	Anchor Thickness(mm)
BTN-416	160	400	260	80	5	36	5
BTN-418	180					38	
BTN-420	200					40	
BTN-422	220						
BTN-424	240					36	6
BTN-616	160	600	393			39	
BTN-618	180					41	
BTN-620	200					42	



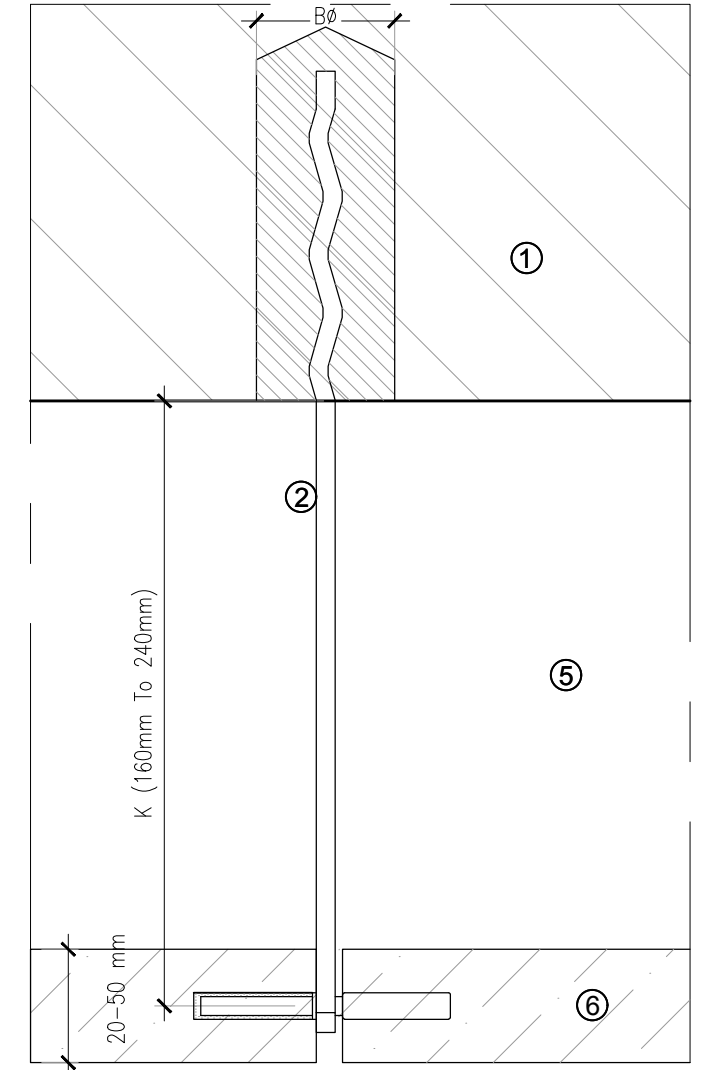
HAZ METAL Sanayi ve Ticaret A.S  
 PO Box 241 31200 Iskenderun / Turkey  
 Tel: +90 326 6262050 Faks: 6262045  
 info@hazmetal.com / www.hazmetal.com.

Title :		Natural Stone Facade - Built-up Cavity Wall - System BTN Specification					
Drawing No.		HAZCD-BTN-ST-02					
Series		Concept Drawings - Natural Stone Fixing System - BTN Support Anchor					
Revision	01	Scale	As Shown	Paper Size :	A3	Page :	2/14

# HG



Vertical Section Scale 1:2



Horizontal Section Scale 1:2

Legend	
1	Substrate
2	BTG Anchor Body
3	FLANGED PIN
4	PLASTIC TUBE
5	Cavity
6	Stone Cladding Panel

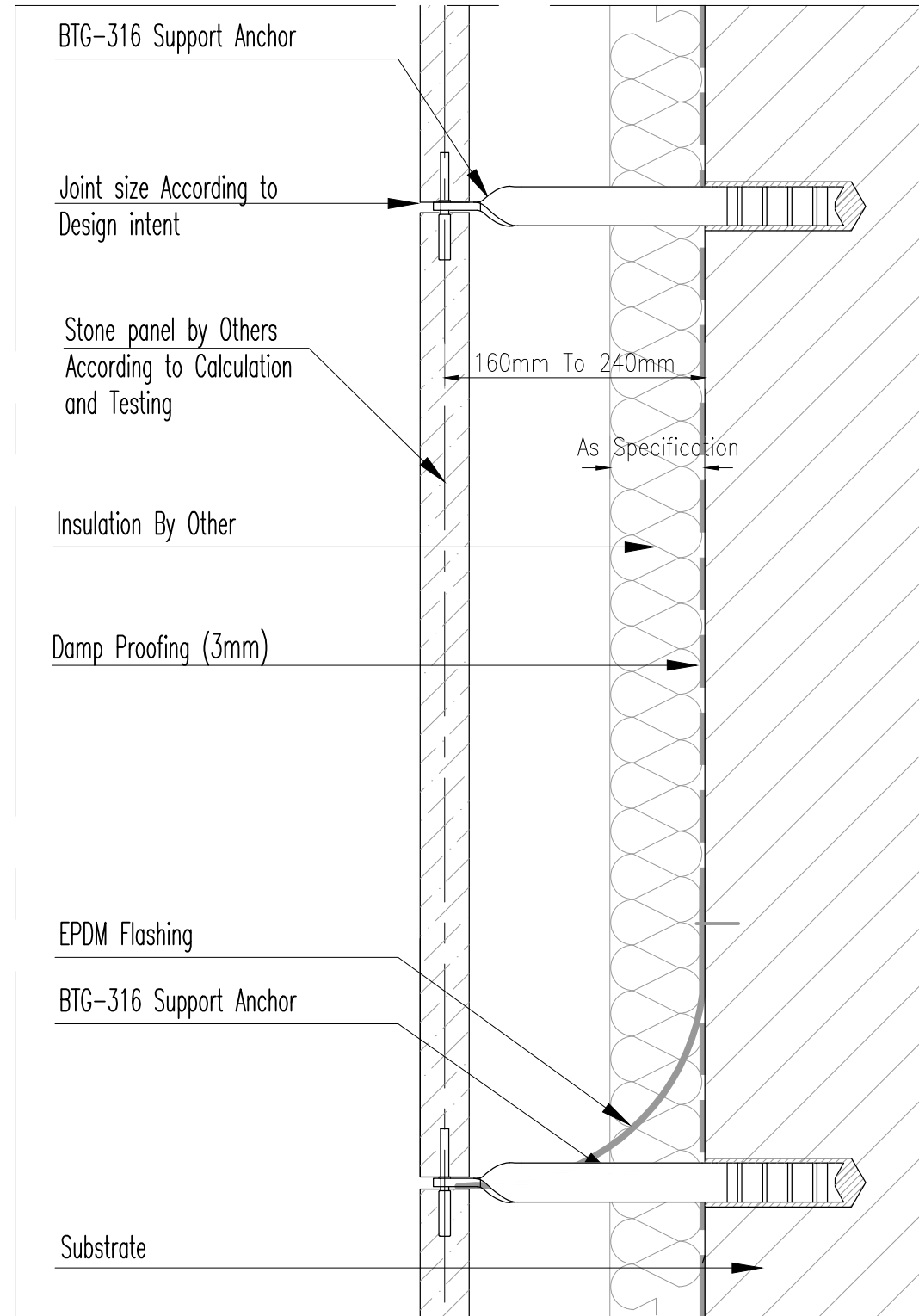
Product Code	Projection K(mm)	Wind Load Fv(kN)	Embed L L1(mm)	F. Pin Size (mm)	Bore Dia. BØ (mm)	Anchor Thickness(mm)
HG-1016	160	500	80	5	21	3
HG-1018	180					
HG-1020	200					
HG-1022	220				24	
HG-1024	240				26	



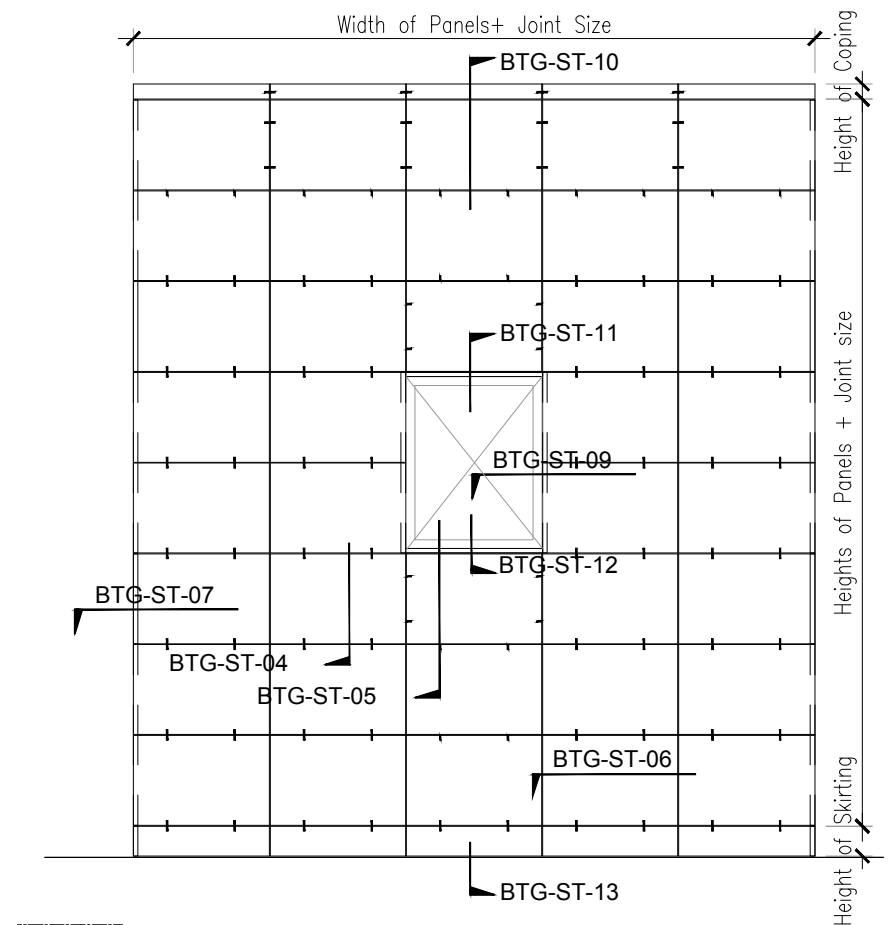
HAZ METAL Sanayi ve Ticaret A.S  
 PO Box 241 31200 Iskenderun / Turkey  
 Tel: +90 326 6262050 Faks: 6262045  
 info@hazmetal.com / www.hazmetal.com.

Title :		Natural Stone Facade - Built-up Cavity Wall - System HG Specification				
Drawing No.		HAZCD-HG-ST-03				
Series		Concept Drawings - Natural Stone Fixing System - HG Restraint Anchor				
Revision	01	Scale	As Shown	Paper Size :	A3	Page : 3/14

# BTG



Vertical section Scale 1:4



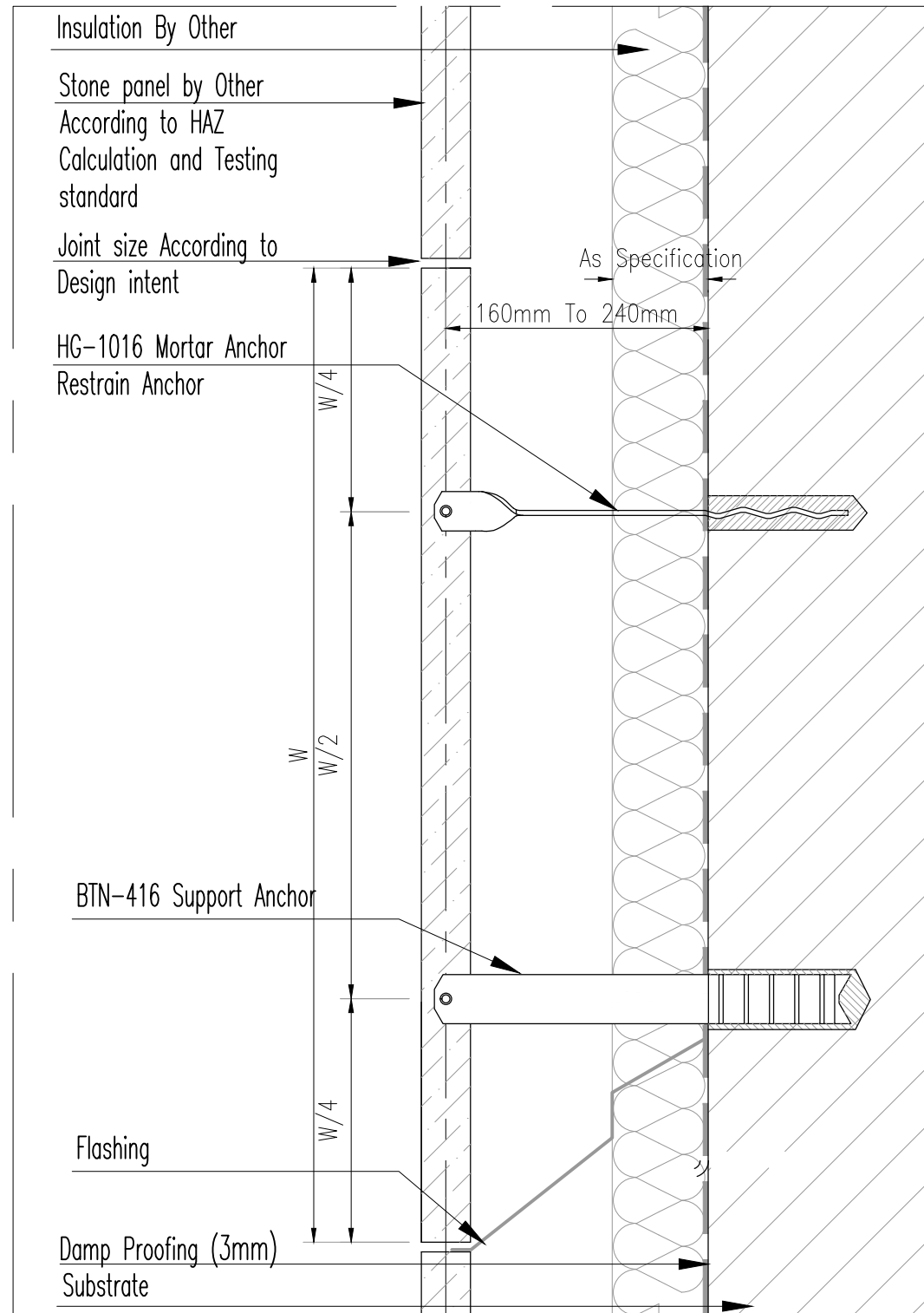
Elevation Scale 1:50



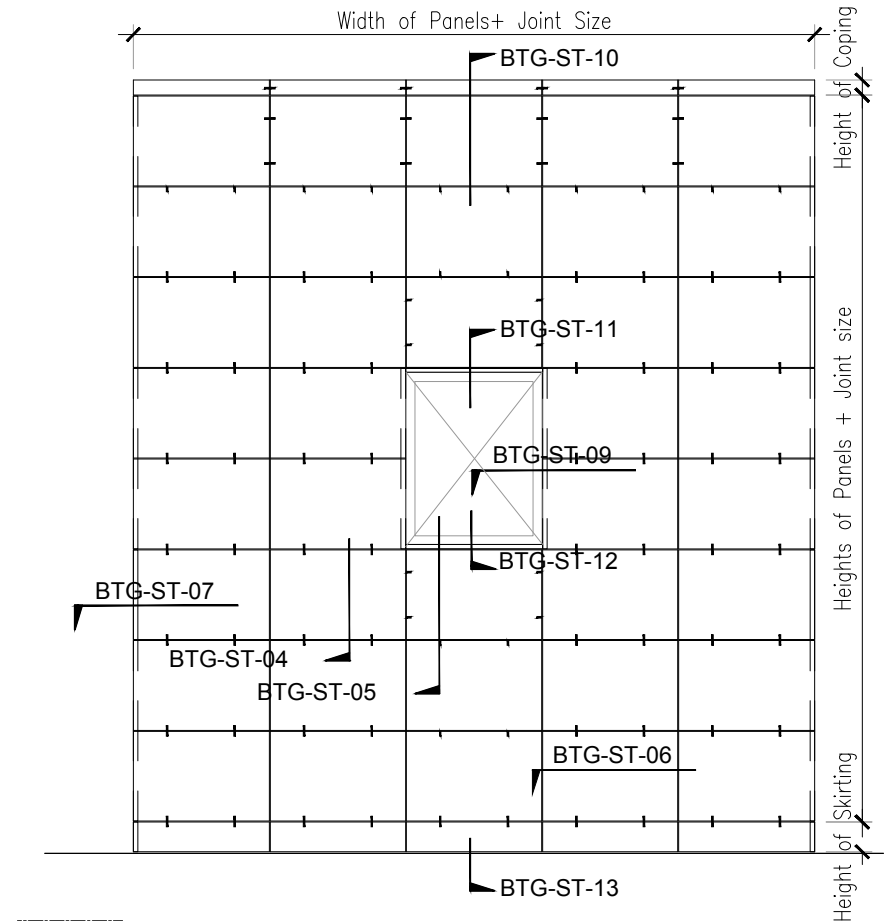
HAZ METAL Sanayi ve Ticaret A.S  
 PO Box 241 31200 Iskenderun / Turkey  
 Tel: +90 326 6262050 Faks: 6262045  
 info@hazmetal.com / www.hazmetal.com.

Title :		Horizontal Joint Installation - Typical Stone Claddings / Rain Screen - Vertical Section						
Drawing No.		HAZCD-BTG-ST-04						
Series		Concept Drawings - Natural Stone Fixing System - BTG Support Anchors						
Revision		01	Scale	As Shown	Paper Size :	A3	Page :	4/14

# BTG



Vertical section Scale 1:4



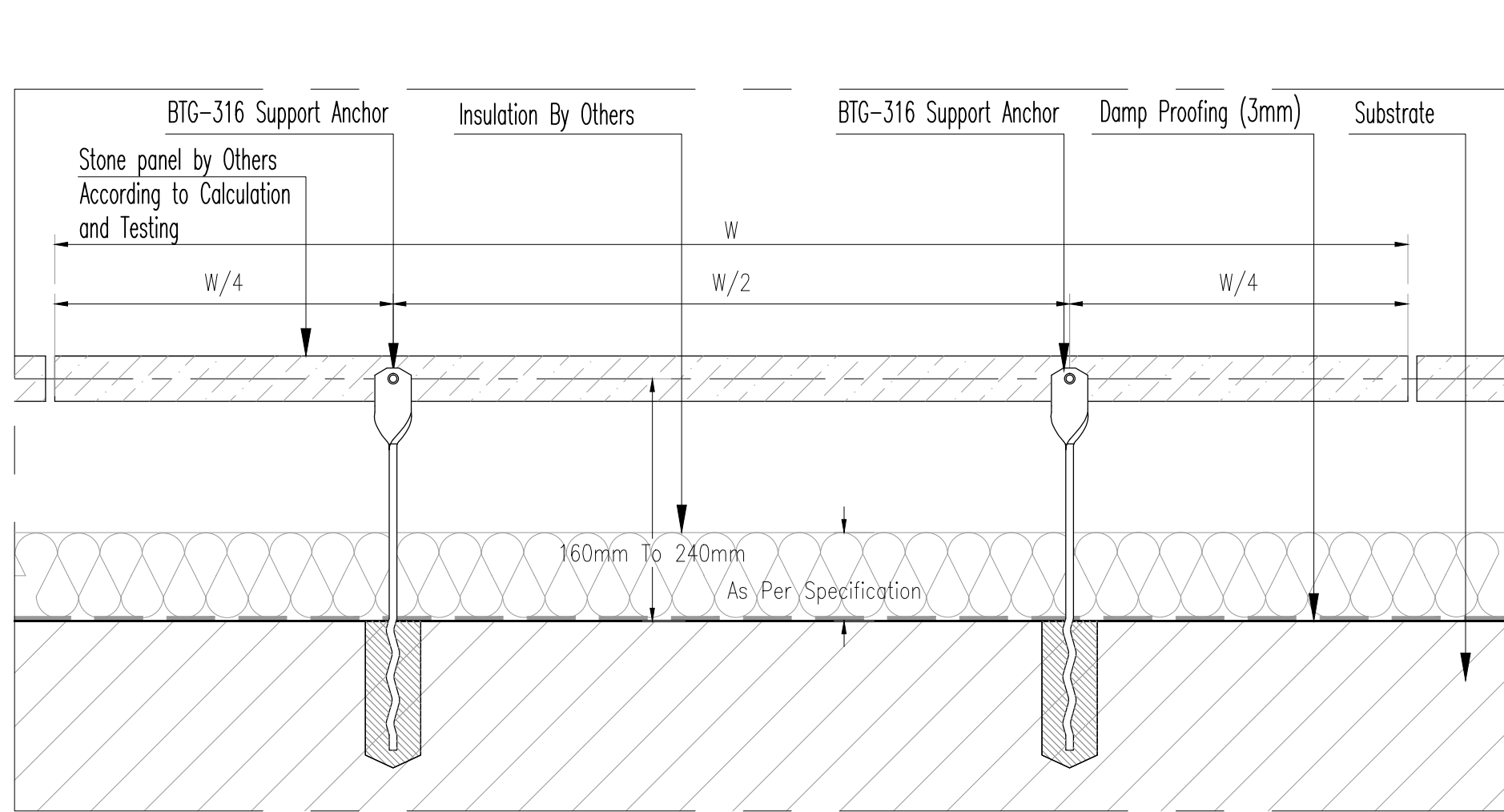
Elevation Scale 1:50



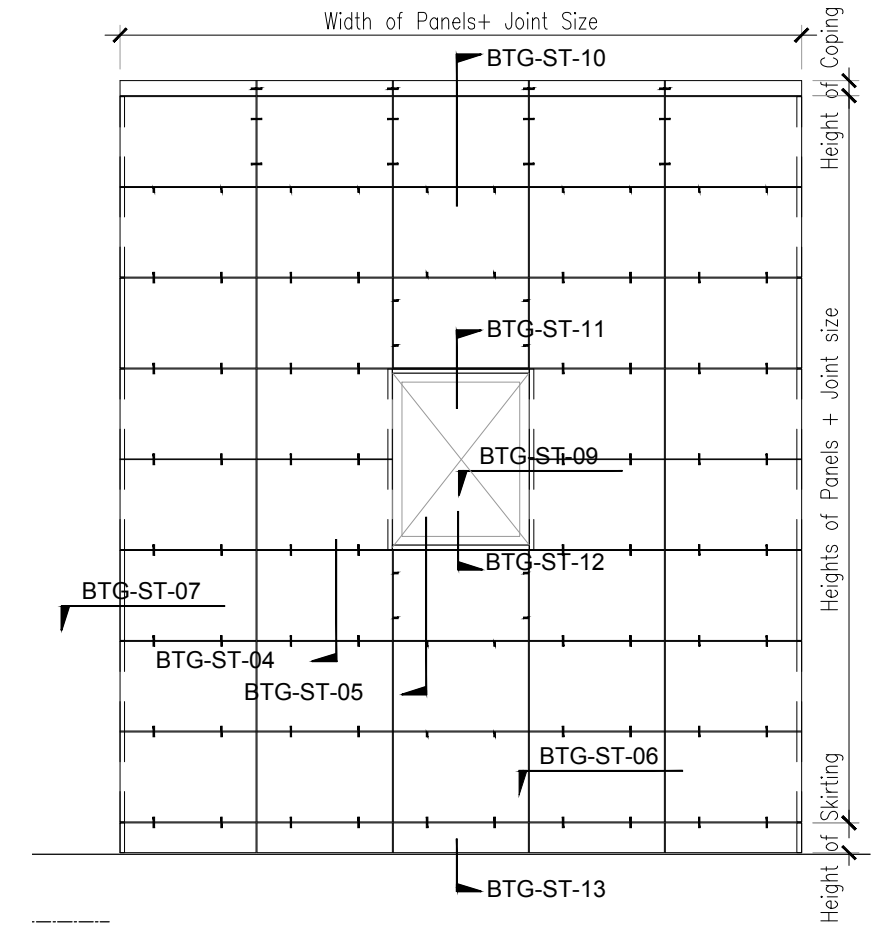
HAZ METAL Sanayi ve Ticaret A.S  
PO Box 241 31200 Iskenderun / Turkey  
Tel: +90 326 6262050 Faks: 6262045  
info@hazmetal.com / www.hazmetal.com.

Title : Vertical Joint Installation - Typical Stone Claddings / Rain Screen - Vertical Section	
Drawing No.	HAZCD-BTG-ST-05
Series	Concept Drawings - Natural Stone Fixing System - BTG Support Anchors
Revision	01
Scale	As Shown
Paper Size :	A3
Page :	5/14

# BTG



Horizontal section Scale 1:4



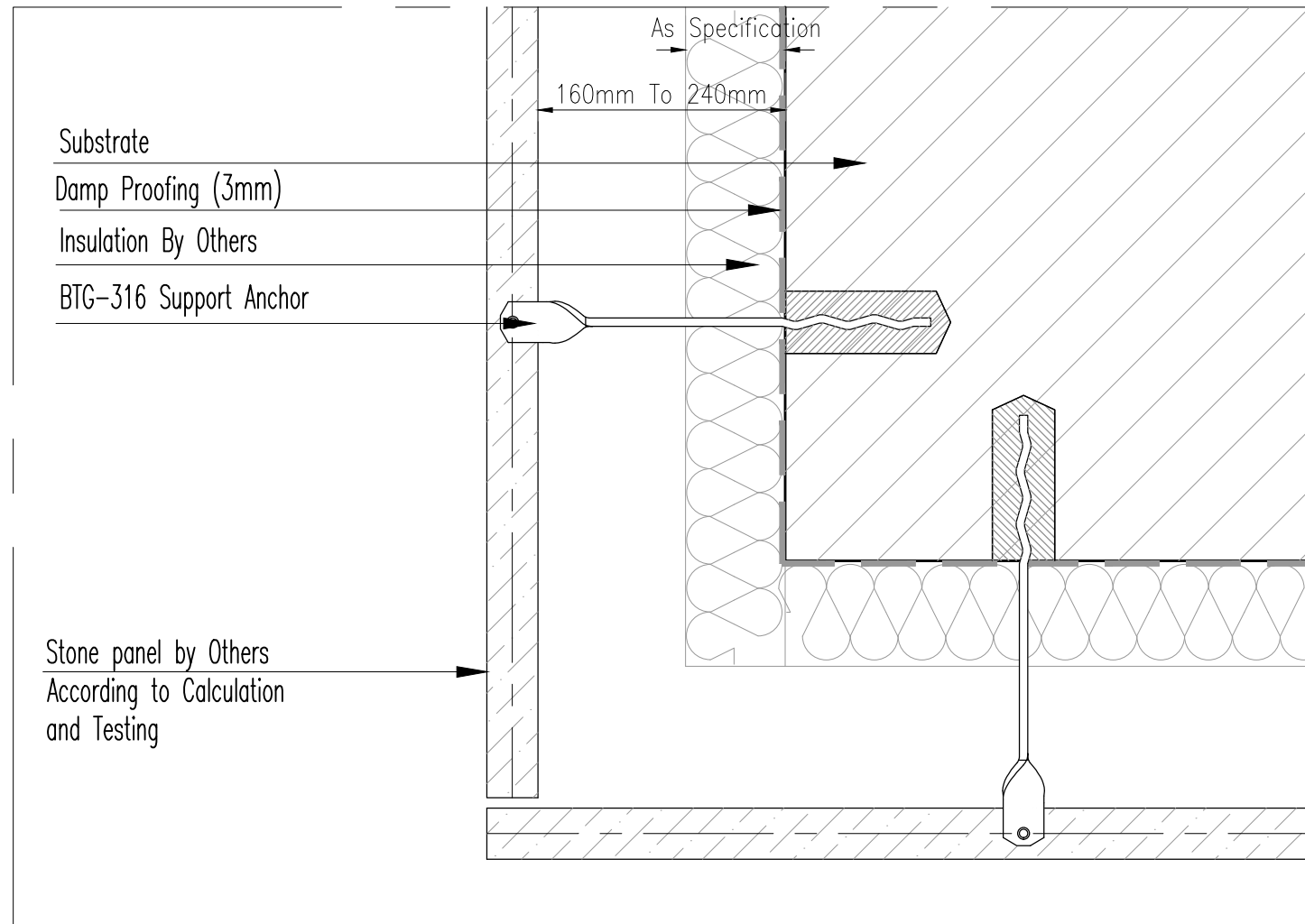
Elevation Scale 1:50



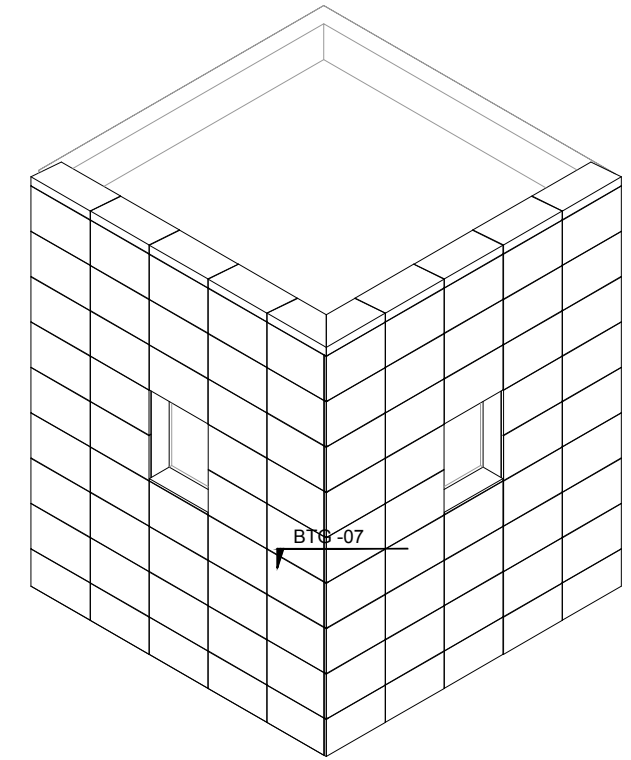
HAZ METAL Sanayi ve Ticaret A.S  
 PO Box 241 31200 Iskenderun / Turkey  
 Tel: +90 326 6262050 Faks: 6262045  
 info@hazmetal.com / www.hazmetal.com.

Title :		Horizontal Joint Installation - Typical Stone Claddings / Rain Screen - Horizontal Section					
Drawing No.	HAZCD-BTG-ST-06						
Series	Concept Drawings - Natural Stone Fixing System - BTG Support Anchors						
Revision	01	Scale	As Shown	Paper Size :	A3	Page :	6/14

# BTG



Horizontal section Scale 1:4



Isometric Scale 1:100



HAZ METAL Sanayi ve Ticaret A.S  
PO Box 241 31200 Iskenderun / Turkey  
Tel: +90 326 6262050 Faks: 6262045  
info@hazmetal.com / www.hazmetal.com.

Title : Horizontal Joint Installation - External Corner Stone Cladding - Horizontal Section

Drawing No. HAZCD-BTG - ST-07

Series Concept Drawings - Natural Stone Fixing System - BTG Support Anchors

Revision

01

Scale

As Shown

Paper Size :

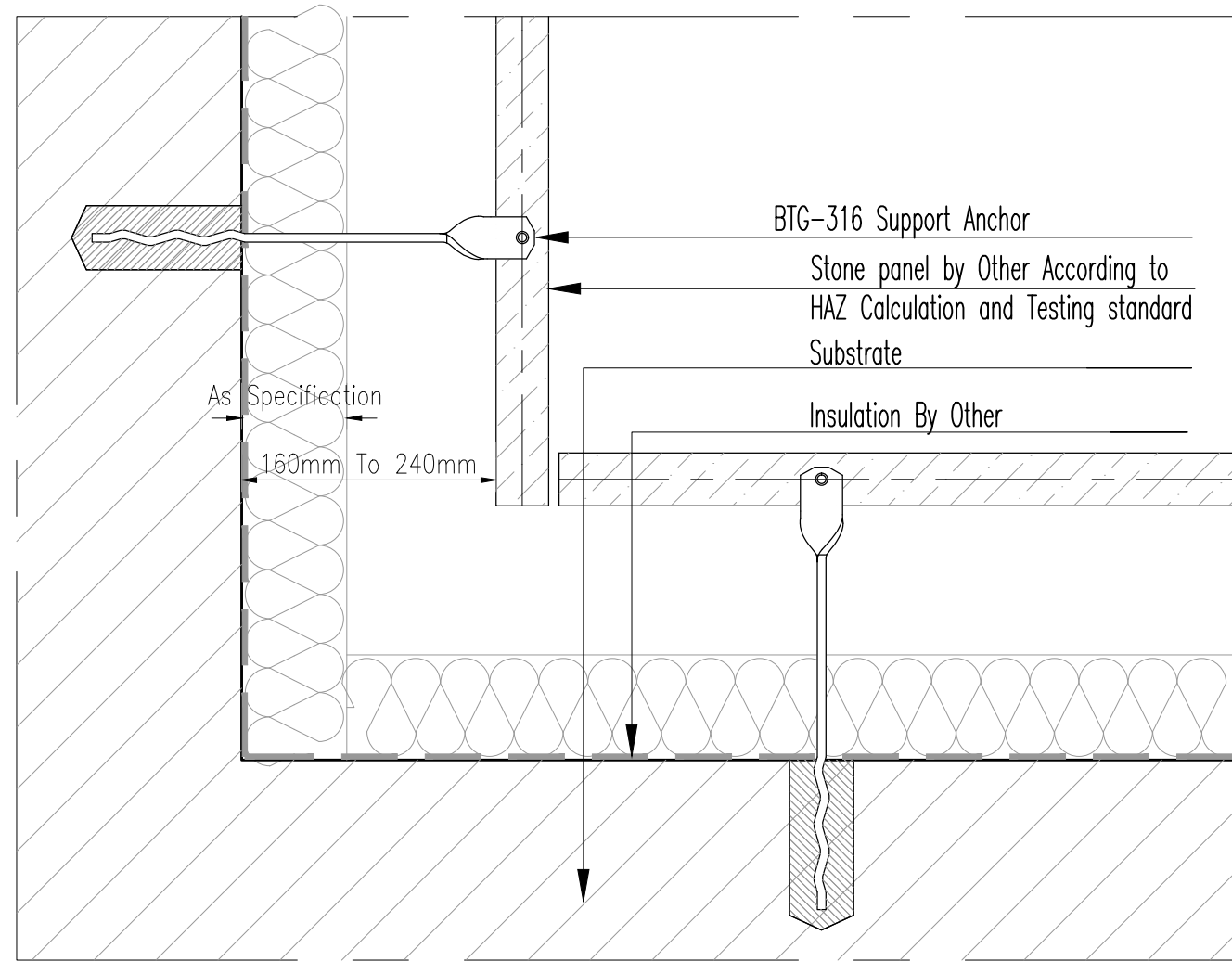
A3

Page :

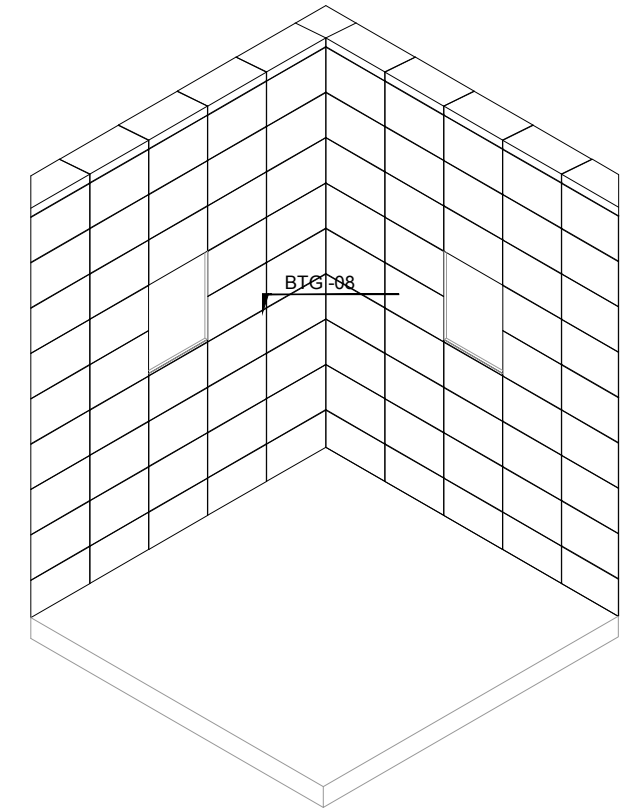
7/14



# BTG



Horizontal section Scale 1:4



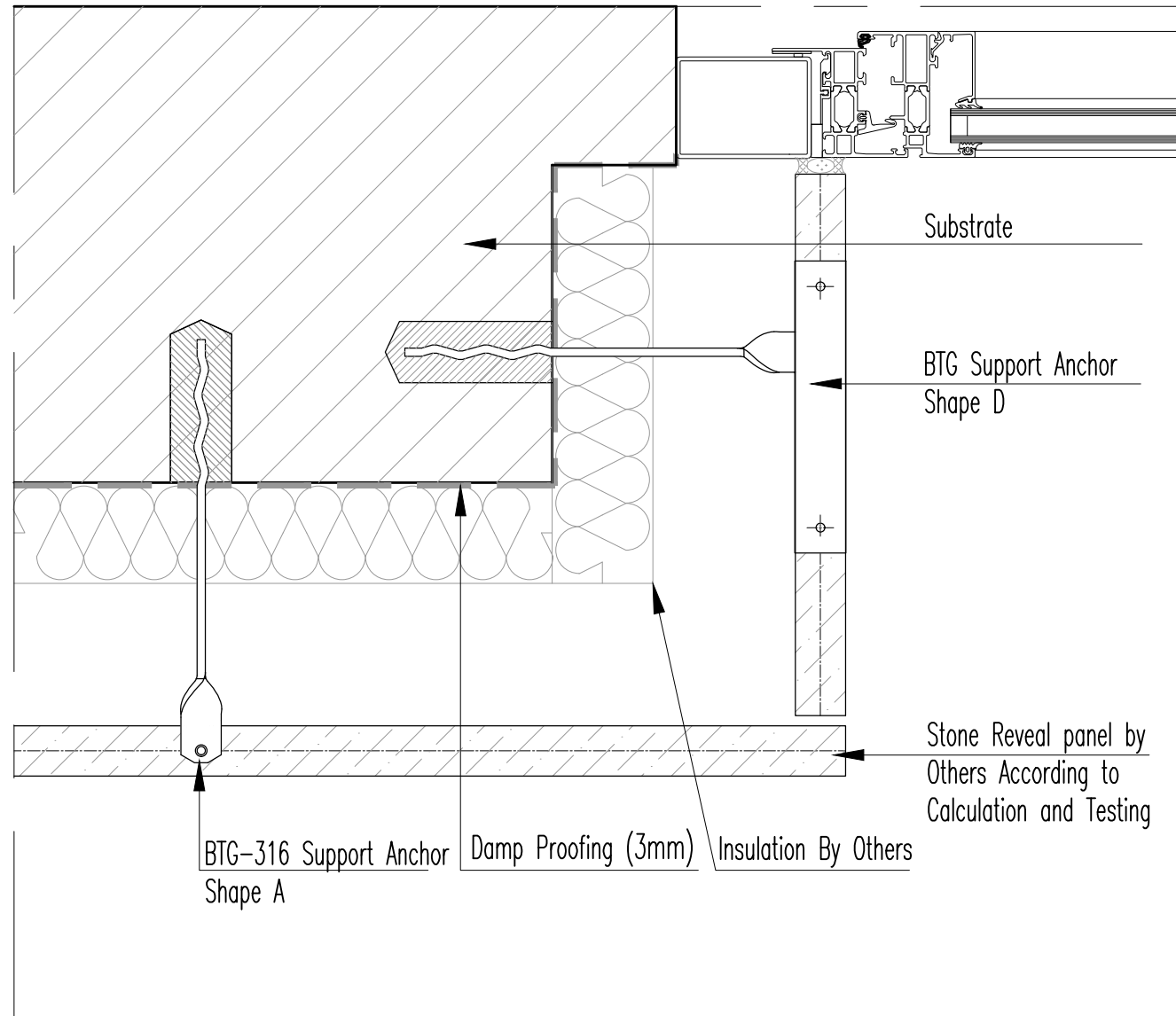
Isometric Scale 1:100



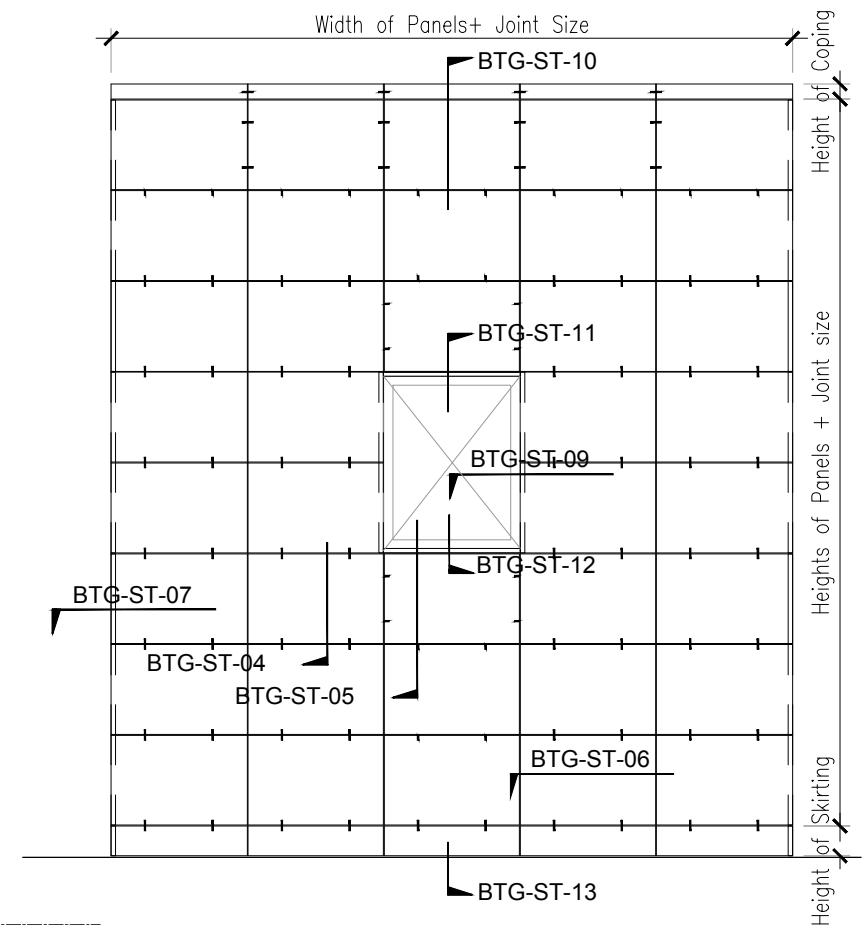
HAZ METAL Sanayi ve Ticaret A.S  
 PO Box 241 31200 Iskenderun / Turkey  
 Tel: +90 326 6262050 Faks: 6262045  
 info@hazmetal.com / www.hazmetal.com.

Title : Horizontal Joint Installation - Internal Corner Stone Cladding - Horizontal Section						
Drawing No.	HAZCD-BTG - ST-08					
Series	Concept Drawings - Natural Stone Fixing System - BTG Support Anchors					
Revision	01	Scale	As Shown	Paper Size :	A3	Page : 8/13

# BTG



Horizontal section Scale 1:4



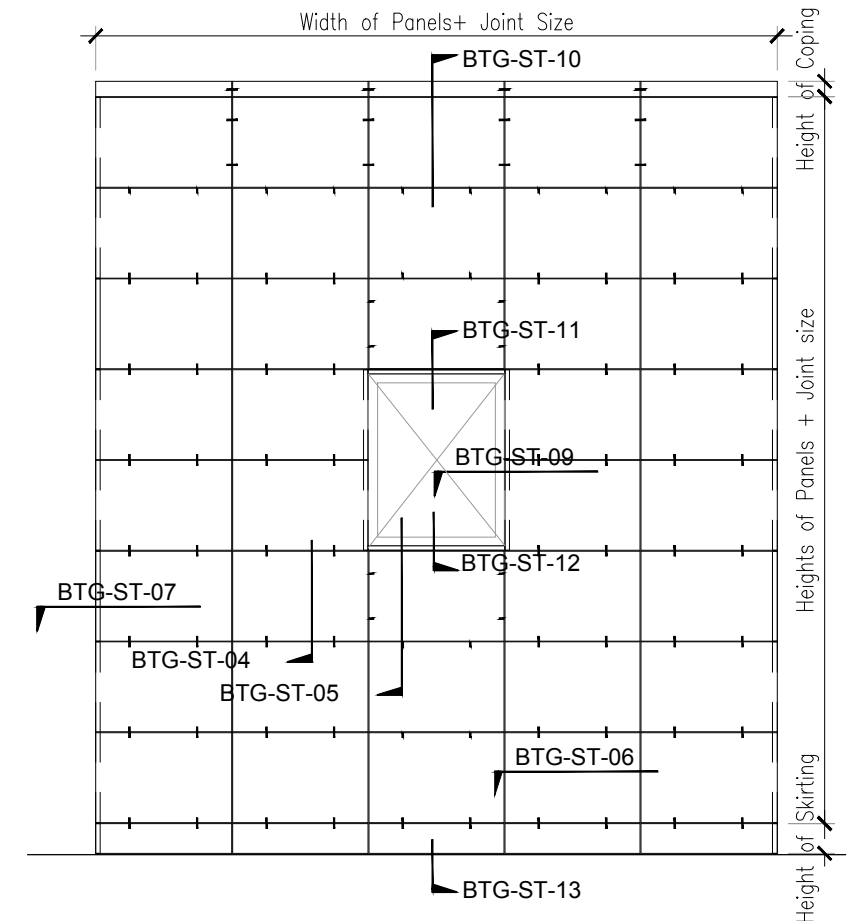
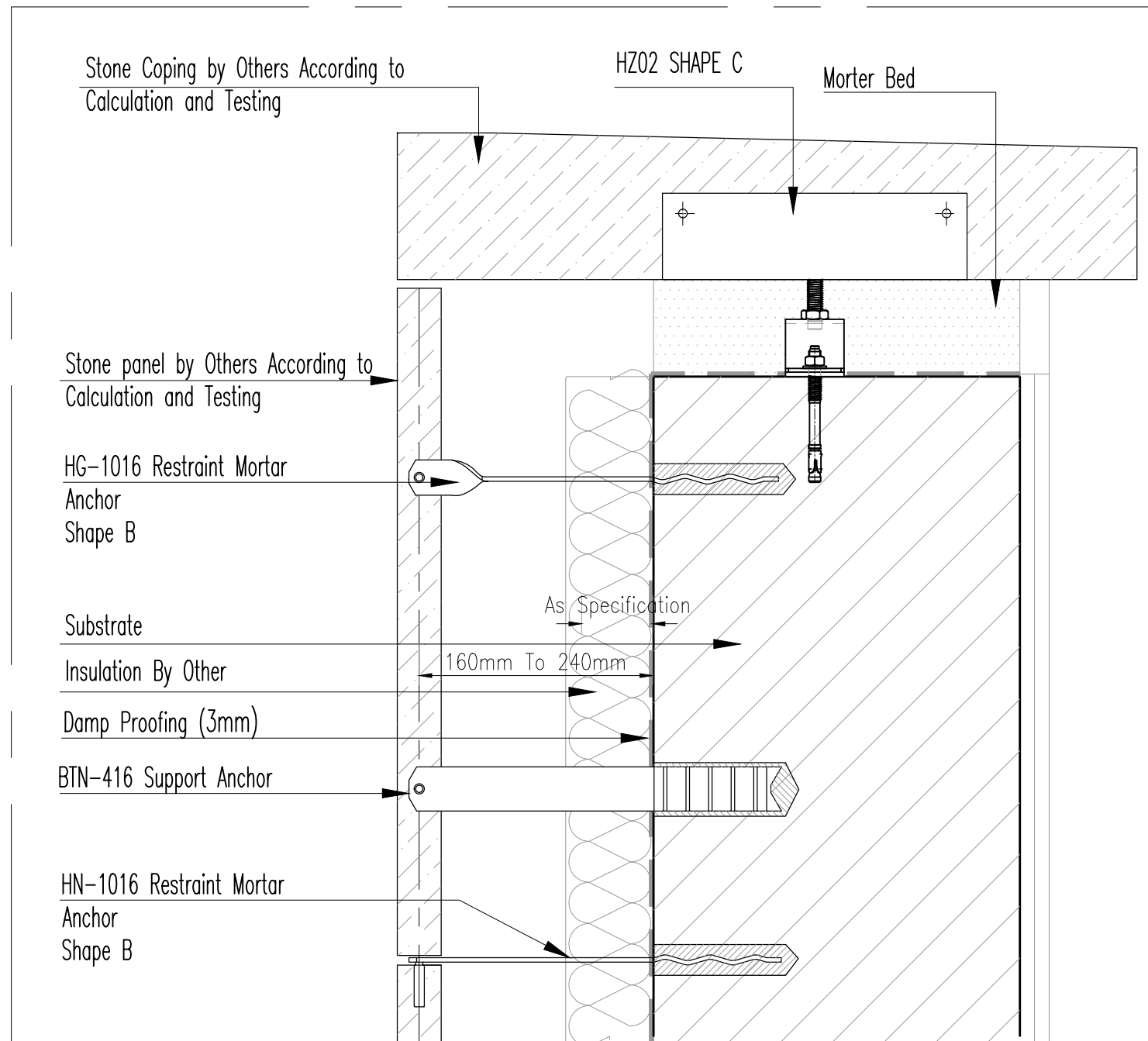
Elevation Scale 1:50



HAZ METAL Sanayi ve Ticaret A.S  
 PO Box 241 31200 Iskenderun / Turkey  
 Tel: +90 326 6262050 Faks: 6262045  
 info@hazmetal.com / www.hazmetal.com.

Title :		Horizontal Joint Installation - Stone Reveal - Horizontal Section					
Drawing No.	HAZCD-BTG-ST-09						
Series	Concept Drawings - Natural Stone Fixing System - BTG Support Anchors						
Revision	01	Scale	As Shown	Paper Size :	A3	Page :	9/14

# BTG



HAZ METAL Sanayi ve Ticaret A.S  
 PO Box 241 31200 Iskenderun / Turkey  
 Tel: +90 326 6262050 Faks: 6262045  
 info@hazmetal.com / www.hazmetal.com.

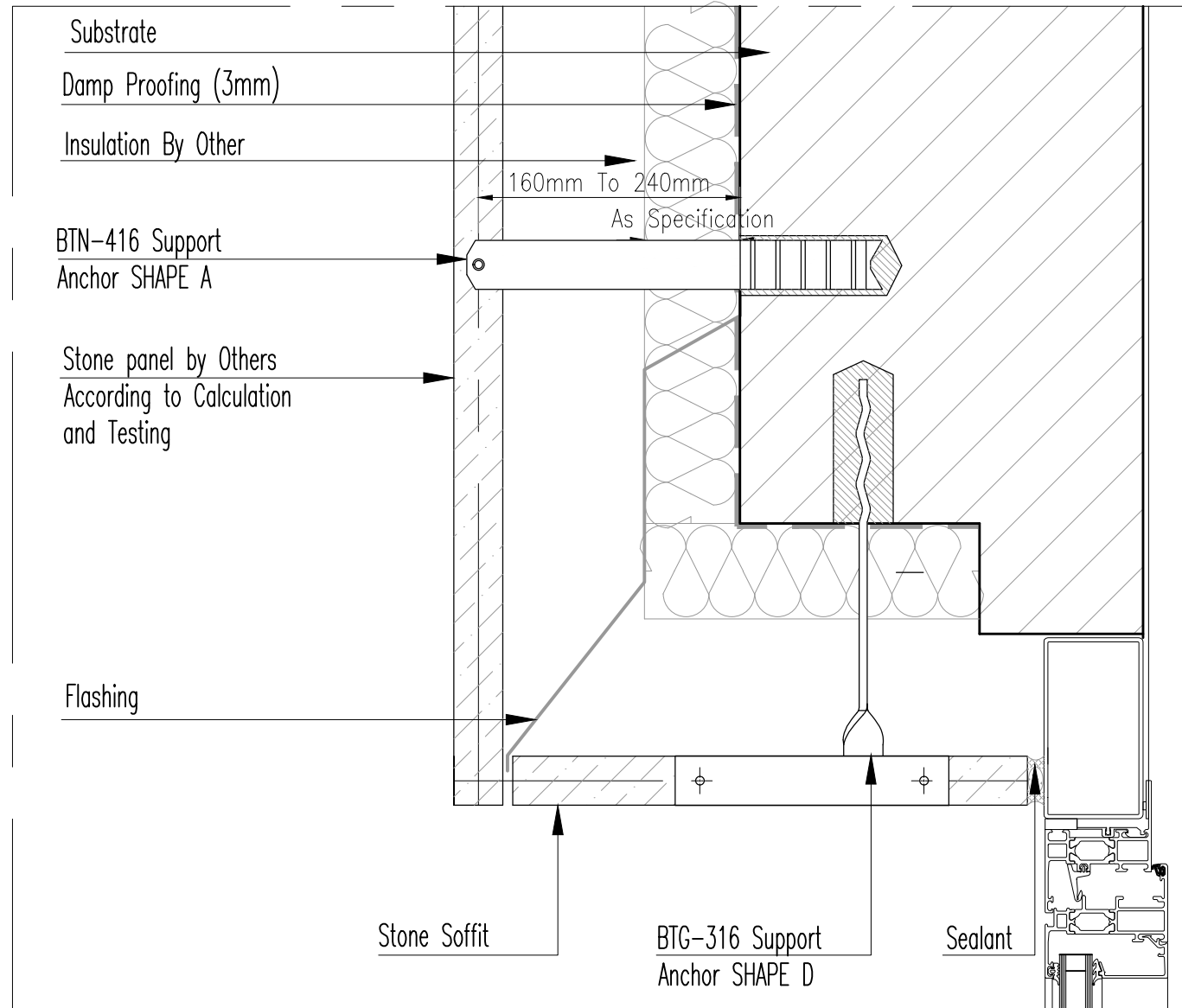
Title : Horizontal Joint Installation - Stone Coping - Vertical Section

Drawing No. HAZCD-BTG - ST-10

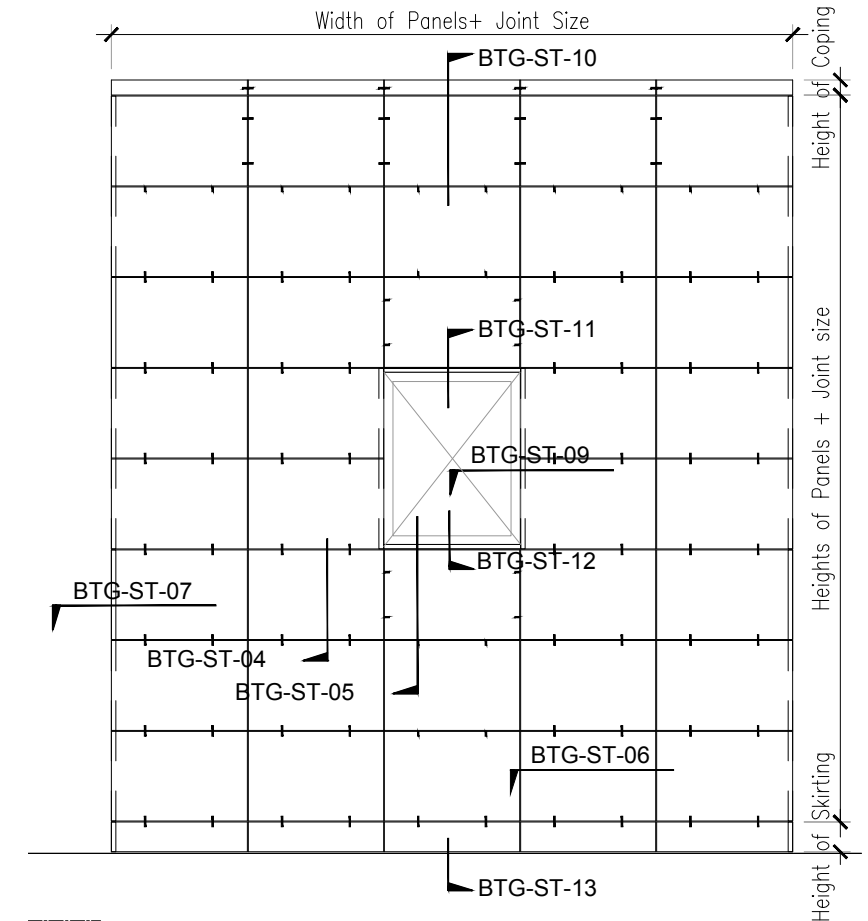
Series Concept Drawings - Natural Stone Fixing System - BTG Support Anchors

Revision	01	Scale	As Shown	Paper Size :	A3	Page :	10/14
----------	----	-------	----------	--------------	----	--------	-------

# BTG



Vertical section Scale 1:4



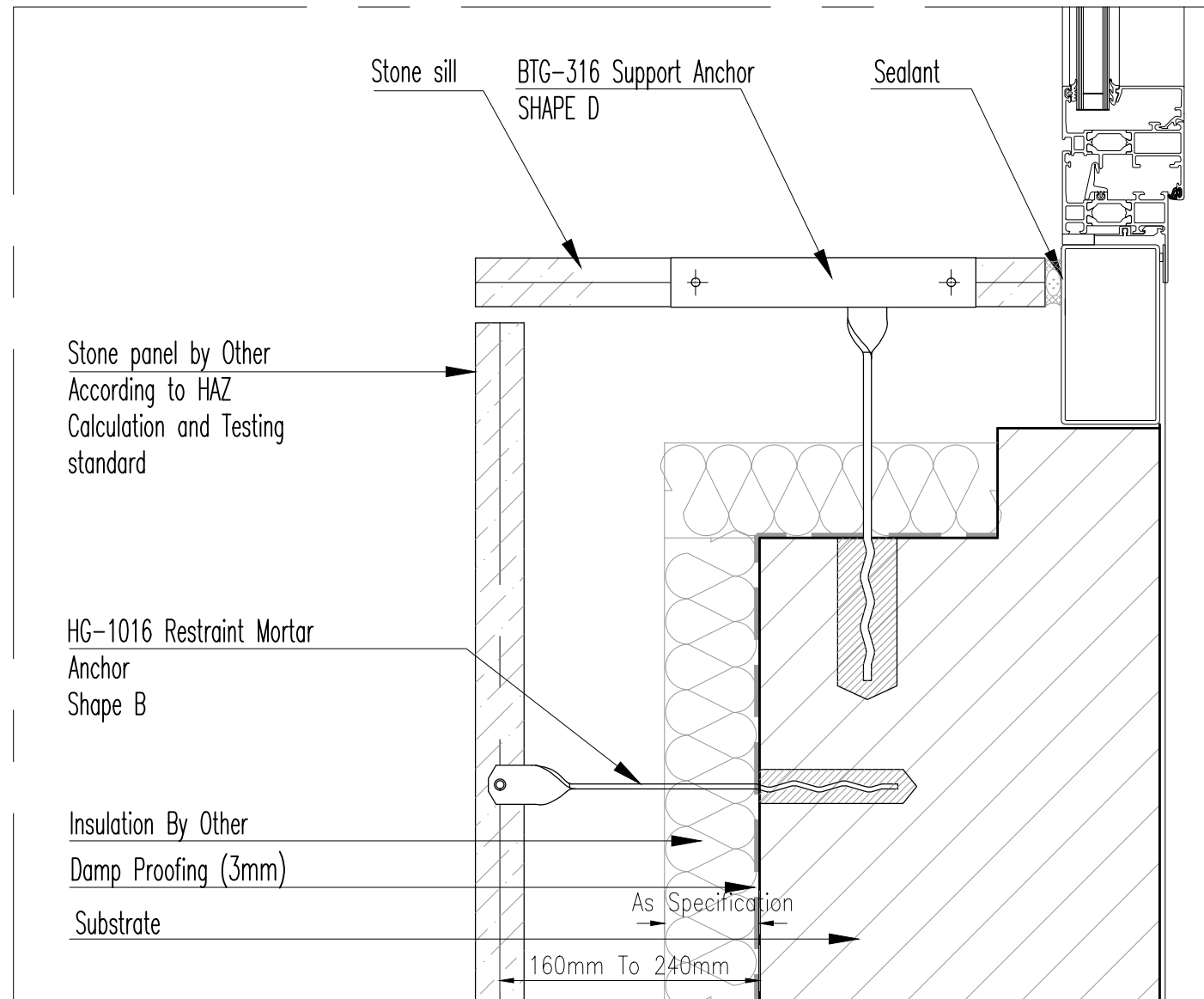
Elevation Scale 1:50



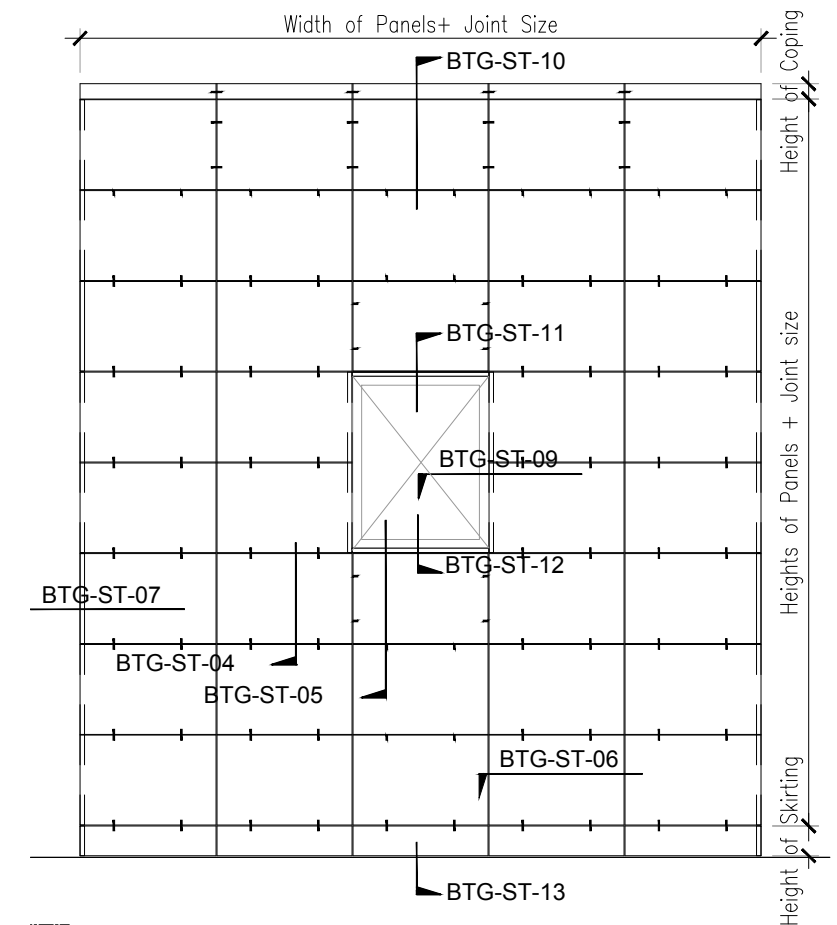
HAZ METAL Sanayi ve Ticaret A.S  
 PO Box 241 31200 Iskenderun / Turkey  
 Tel: +90 326 6262050 Faks: 6262045  
 info@hazmetal.com / www.hazmetal.com.

Title :		Horizontal Joint Installation - Stone Soffit - Vertical Section				
Drawing No.	HAZCD-BTG-ST-11					
Series	Concept Drawings - Natural Stone Fixing System - BTG Support Anchors					
Revision	01	Scale	As Shown	Paper Size :	A3	
				Page :	11/14	

# BTG



Vertical section Scale 1:4



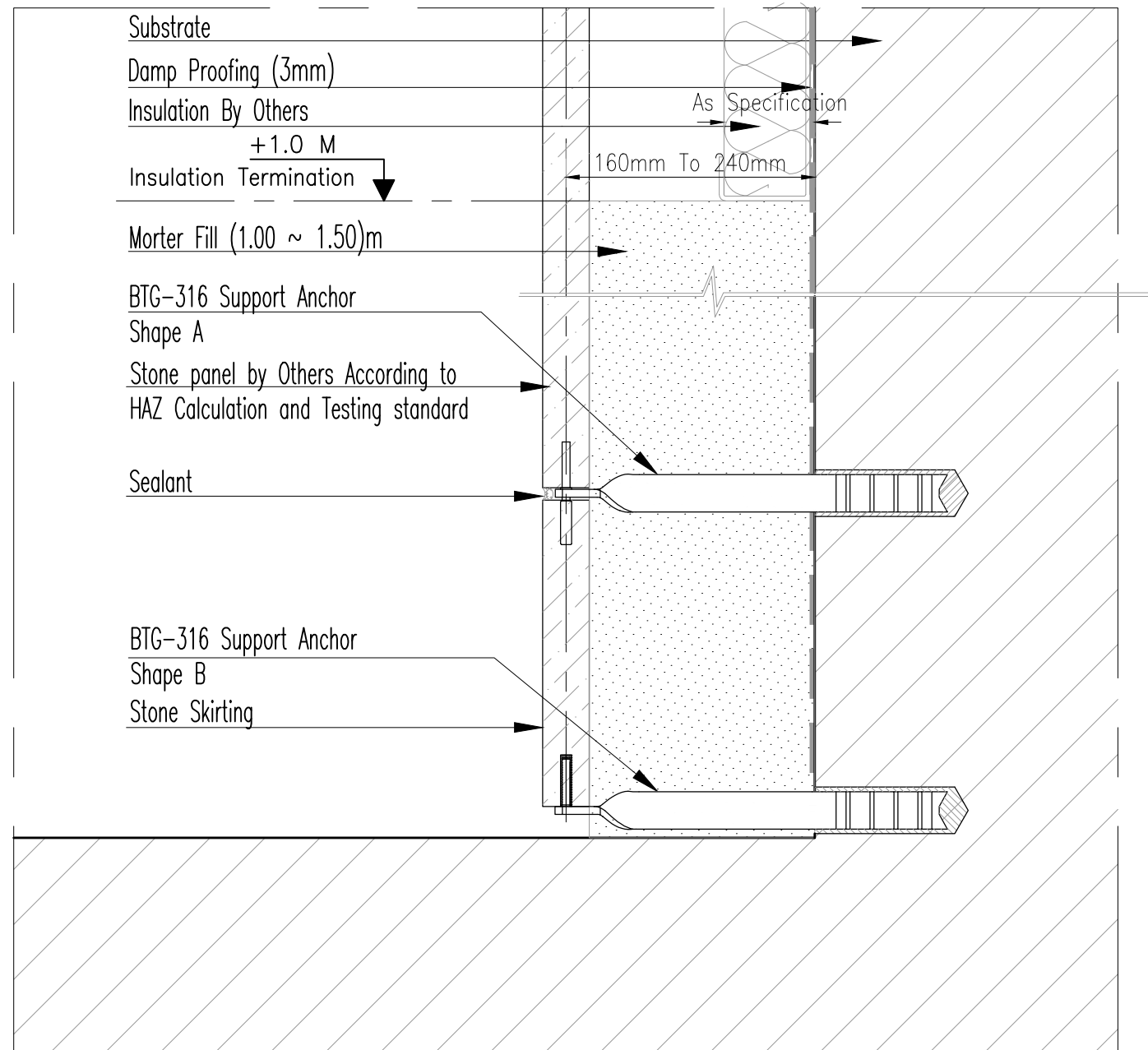
Elevation Scale 1:50



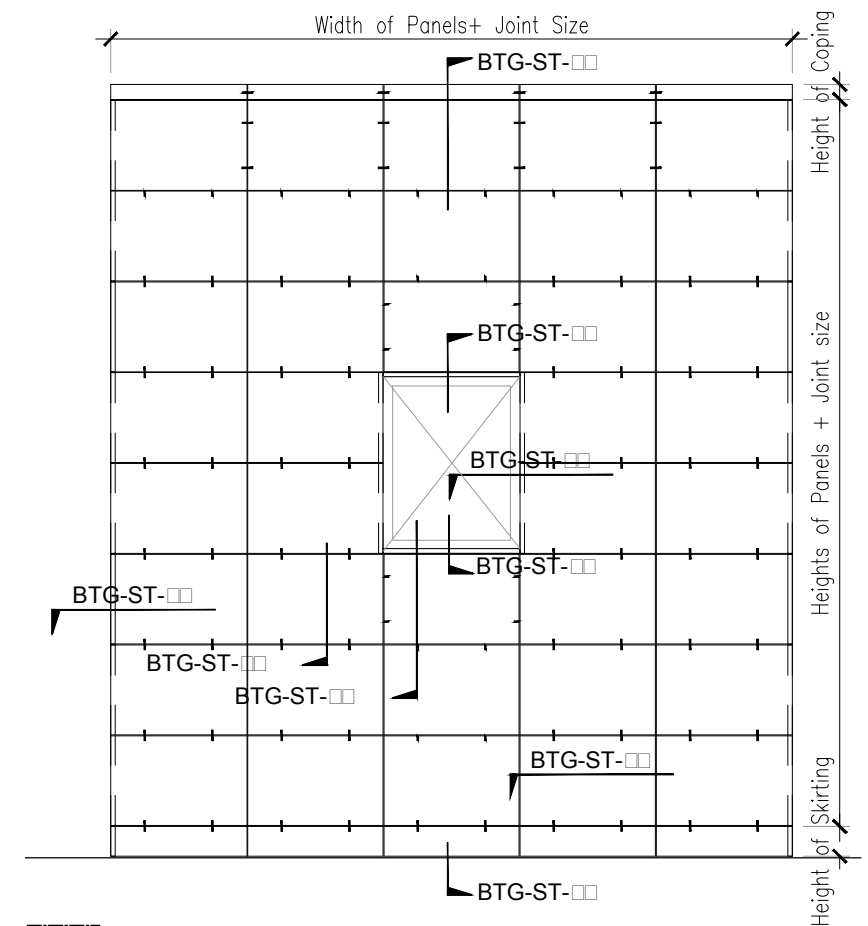
HAZ METAL Sanayi ve Ticaret A.S  
 PO Box 241 31200 Iskenderun / Turkey  
 Tel: +90 326 6262050 Faks: 6262045  
 info@hazmetal.com / www.hazmetal.com.

Title :		Horizontal Joint Installation - Stone Sill - Vertical Section				
Drawing No.		HAZCD-BTG-ST-12				
Series		Concept Drawings - Natural Stone Fixing System - BTG Support Anchors				
Revision	01	Scale	As Shown	Paper Size :	A3	
					Page :	12/14

# BTG



Vertical section Scale 1:1



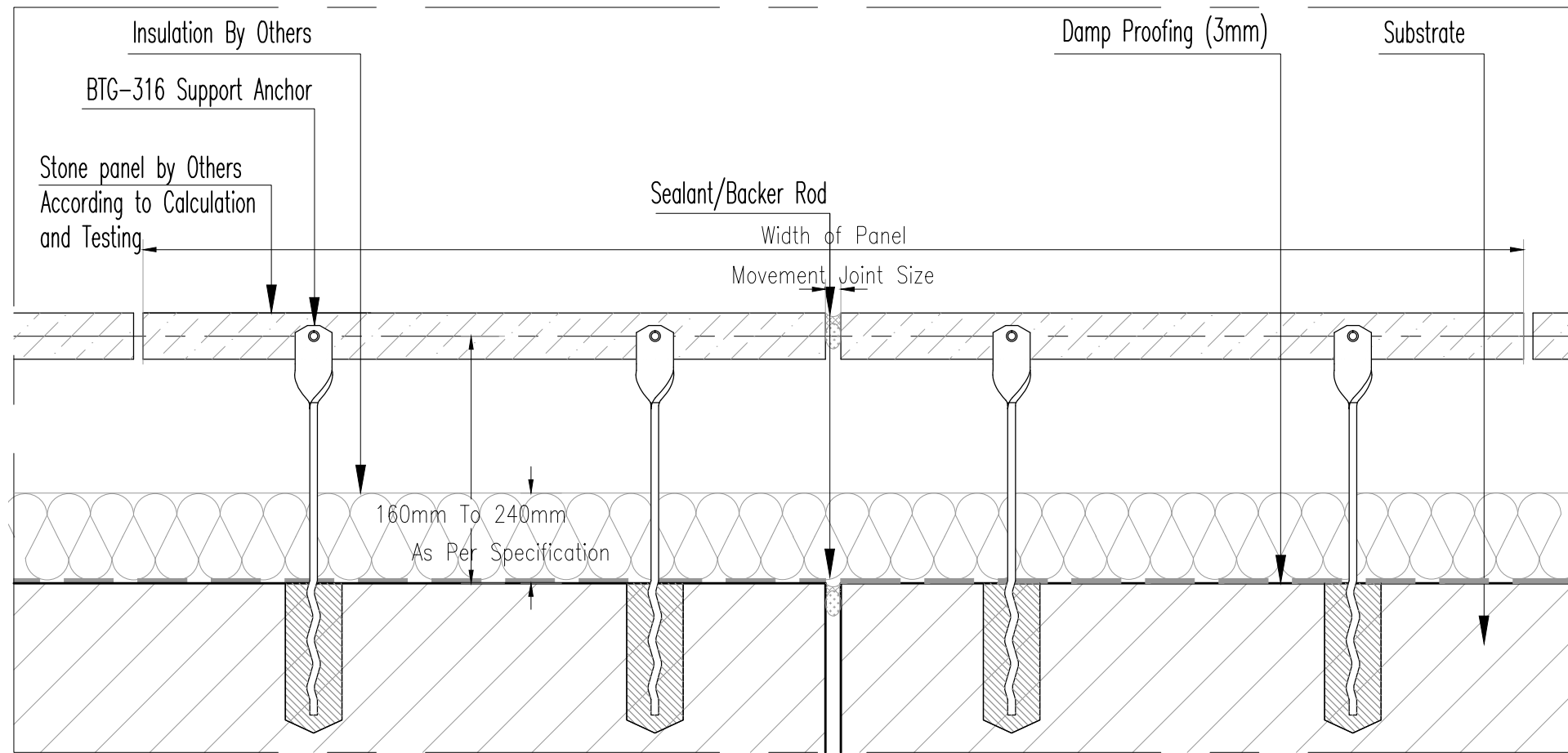
Elevation Scale 1:1



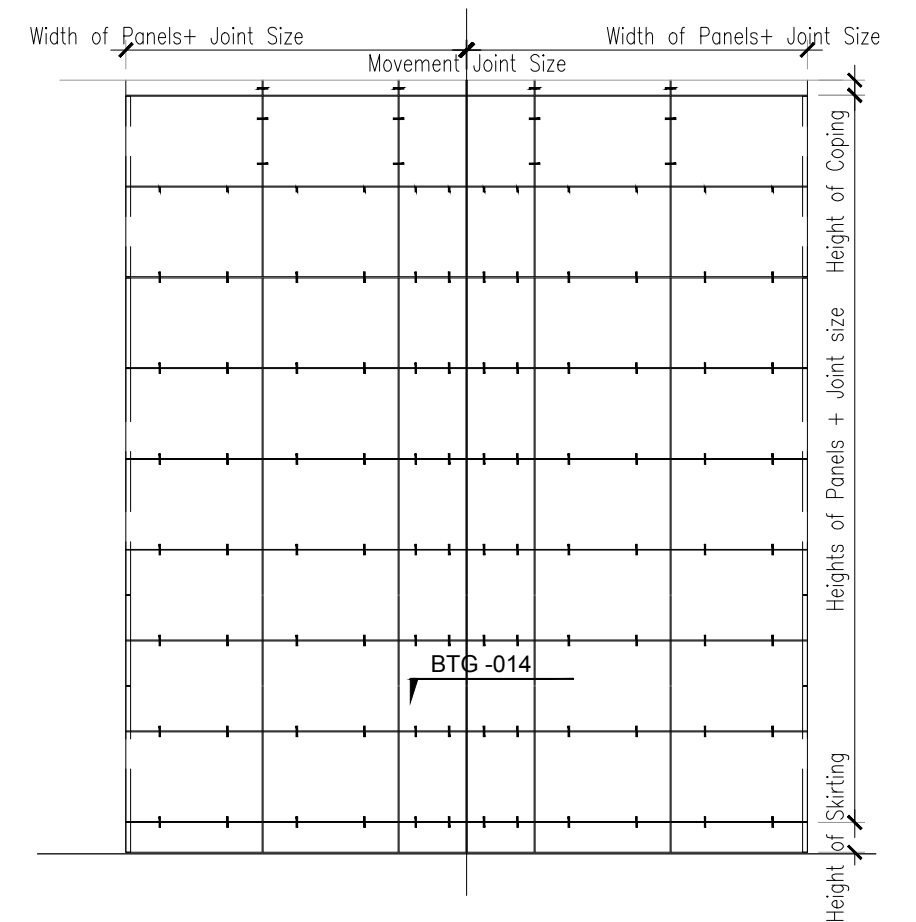
HAZ METAL Sanayi ve Ticaret A.S  
 PO Box 241 31200 Iskenderun / Turkey  
 Tel: +90 326 6262050 Faks: 6262045  
 info@hazmetal.com / www.hazmetal.com.

Title :		Horizontal Joint Installation - Stone Skirting - Vertical Section			
Drawing No.	HAZCD-BTG-ST-00				
Series	Concept Drawings - Natural Stone Fixing System - BTG Support Anchors				
Revision	00	Scale	As Shown	Paper Size :	A3
					Page :

# BTG



Horizontal section Scale 1:4



Variation on Typical Elevation  
Scale 1:50



HAZ METAL Sanayi ve Ticaret A.S  
PO Box 241 31200 Iskenderun / Turkey  
Tel: +90 326 6262050 Faks: 6262045  
info@hazmetal.com / www.hazmetal.com.

Title : Horizontal Joint Installation - Typical Stone Claddings - Movement Joint - Horizontal Section

Drawing No. HAZCD-BTG-ST-14

Series Concept Drawings - Natural Stone Fixing System - BTG Support Anchors

Revision	01	Scale	As Shown	Paper Size :	A3	Page :	13/14
----------	----	-------	----------	--------------	----	--------	-------