

**HAZ METAL**  
**FIXING SYSTEMS**

**BA**

BODY ANCHOR FIXING SYSTEM

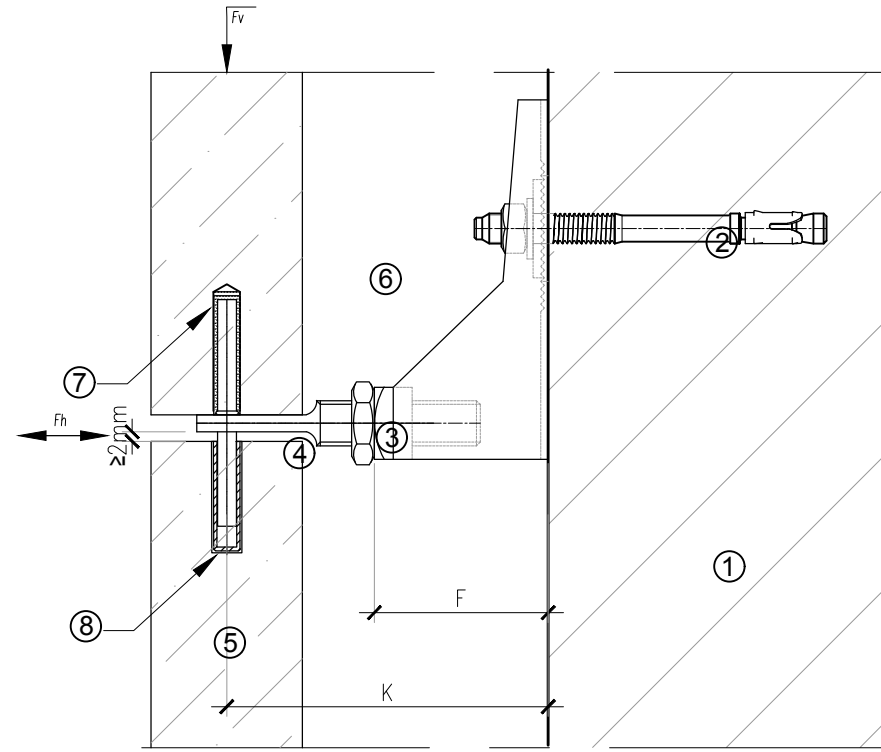
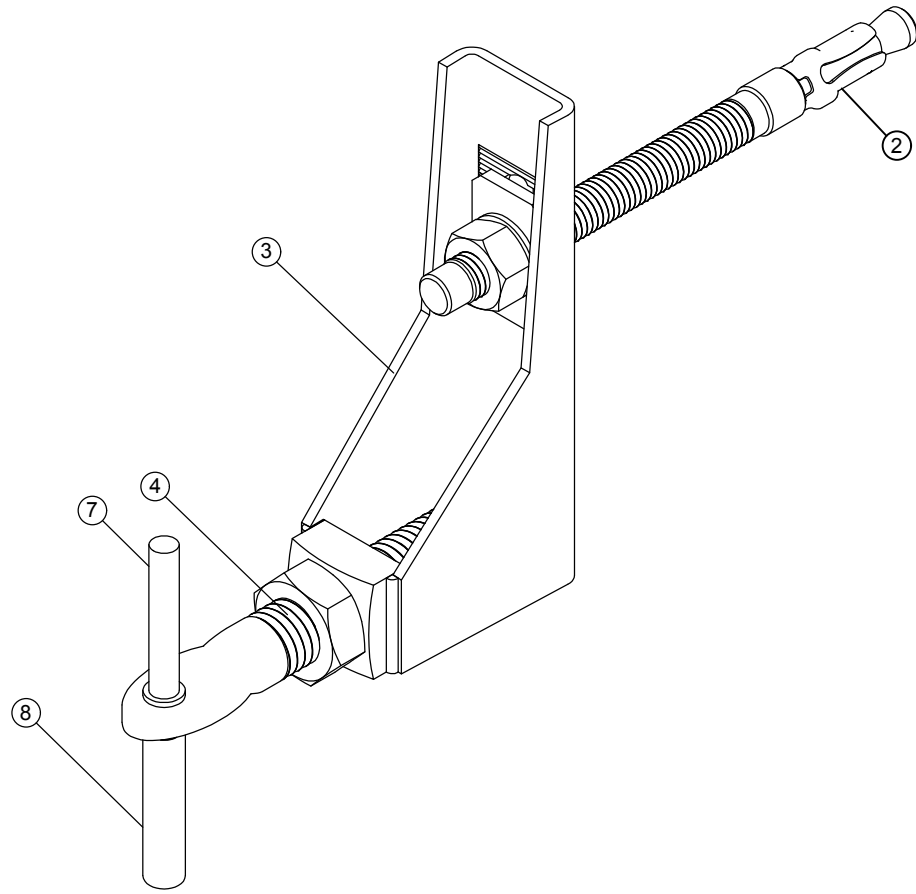
**Concept Drawings**

Series: HAZCD-BA-858-ST

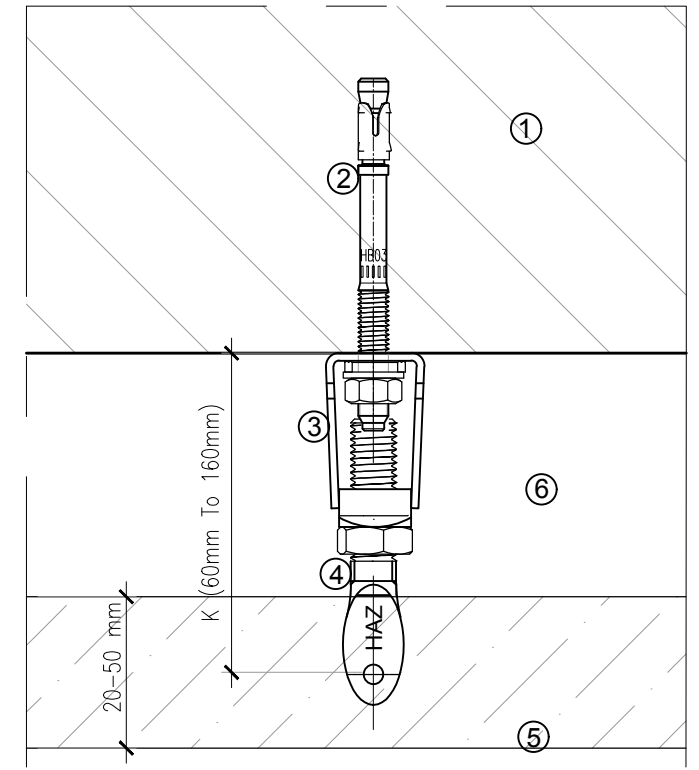
Direct Fixing System For Rain Screen  
Stone Cladding System for Installation at  
Vertical and Horizontal Joints



# BA-858



Scale 1:2



Scale 1:2

Product Code	Projection K(mm)	Projection K-(mm)	Projection K+(mm)	Dead. Load Fdw(N)	Forming Size F(mm)	Wind Pressure Fwp(N)	Expansion Bolt Size (mm)	Adjustable Arm Size (mm)
BA-609	60	50	75	900	28	1100	M8x80	M12X60
BA-858	85	70	100	800	46	700	M8x80	M12X75
BA-1207	120	95	135	700	75	650	M8x80	M12X85
BA-1607	160	145	175	700	115	600	M8x80	M12X85

Legend	
1	Substrate
2	Anchor Bolt
3	BA-858 Anchor Body
4	ADJUSTABLE ARM
5	Stone Cladding Panel
6	Cavity
7	FLANGED PIN
8	PLASTIC TUBE



HAZ METAL Sanayi ve Ticaret A.S  
 PO Box 241 31200 Iskenderun / Turkey  
 Tel: +90 326 6262050 Faks: 6262045  
 info@hazmetal.com / www.hazmetal.com.

Title : Natural Stone Facade - Built-up Cavity Wall - System BA-858 Specification

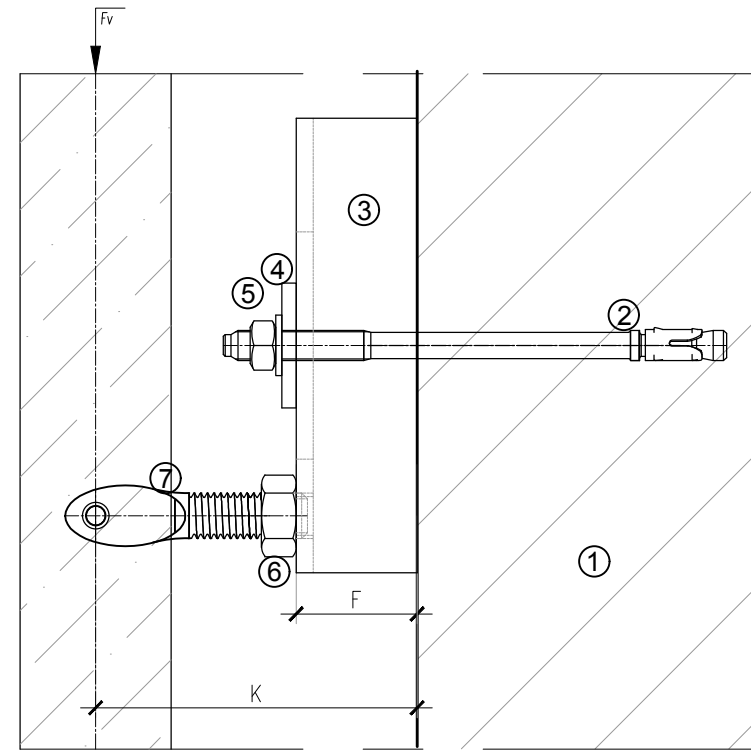
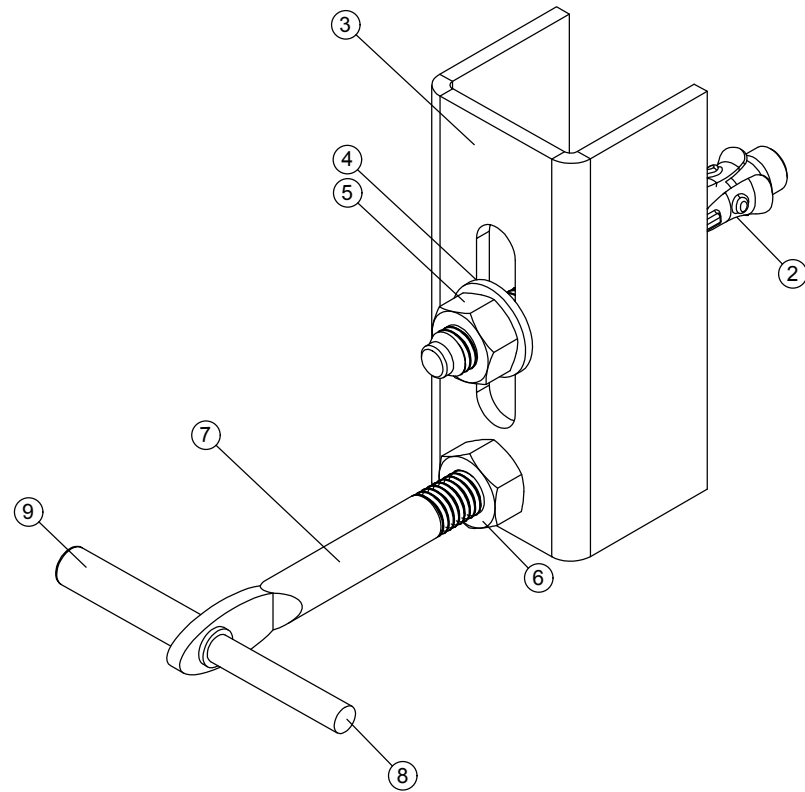
Drawing No. HAZCD-BA-858- ST-01

Series Concept Drawings - Natural Stone Fixing System - BA-858 Support Anchors

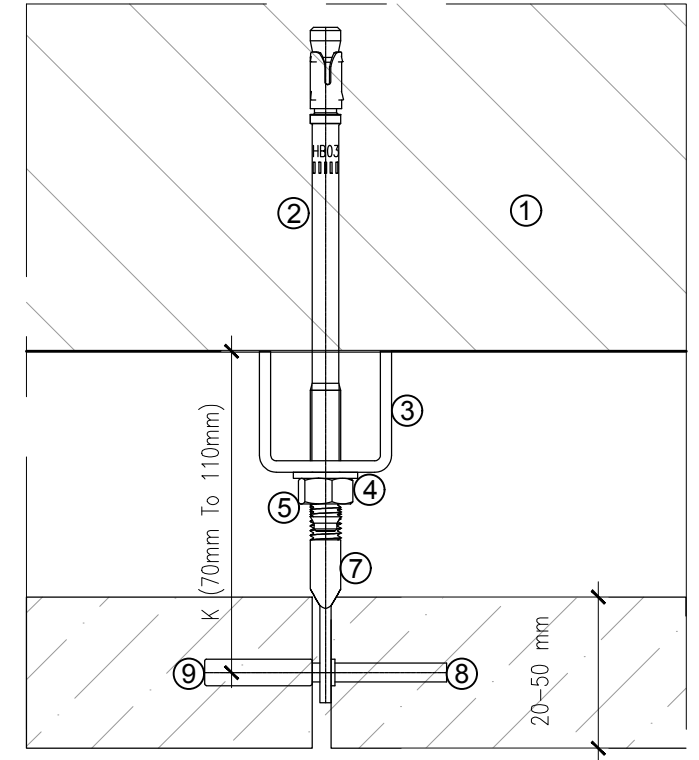
Revision 01 scale As Shown

Page : 1/13

# HRS03



Scale 1:2



Scale 1:2

Product Code	Projection K(mm)	Wind Load Fv(kN)	Body size (mm)	Adjustable arm (mm)	Bolt size (Metric)
HRS03-60	60	1000	F25	M8X50	M8X80
HRS03-80	80		F25	M8X70	
HRS03-100	100		F32	M8X80	
HRS03-120	120		F32	M8X100	
HRS03-140	140		F32	M8X120	
HRS03-160	160		F32	M8X140	
HRS03-180	180		F40	M8X150	
HRS03-200	200		F40	M8X170	
HRS03-220	220		F40	M8X190	
HRS03-240	240		F50	M8X200	
HRS03-260	260		F50	M8X220	

Legend	
1	Substrate
2	Anchor Bolt
3	Anchor Body
4	Round Washer for Through bolt
5	Hex Nut for Through Bolt
6	Hex Nut for Adjustable Arm
7	Adjustable Arm
8	Flanged Pin
9	Plastic Tube
10	Cavity
11	Stone Cladding Panel



HAZ METAL Sanayi ve Ticaret A.S  
 PO Box 241 31200 Iskenderun / Turkey  
 Tel: +90 326 6262050 Faks: 6262045  
 info@hazmetal.com / www.hazmetal.com.

Title : Natural Stone Facade - Built-up Cavity Wall - System HRS03 Specification

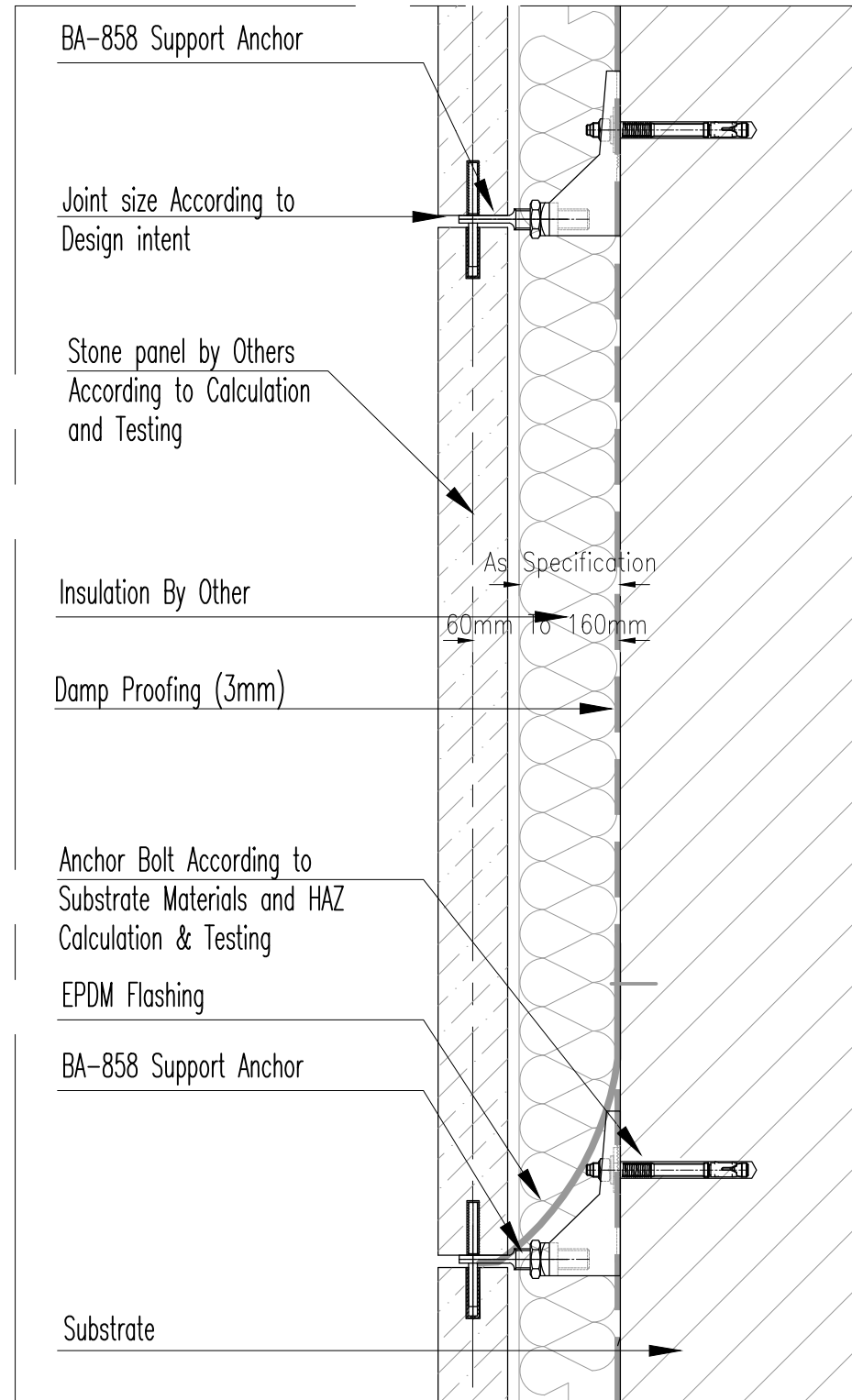
Drawing No. HAZCD-HRS03-ST-02

Series Concept Drawings - Natural Stone Fixing System - HRS03 Restraint Anchor

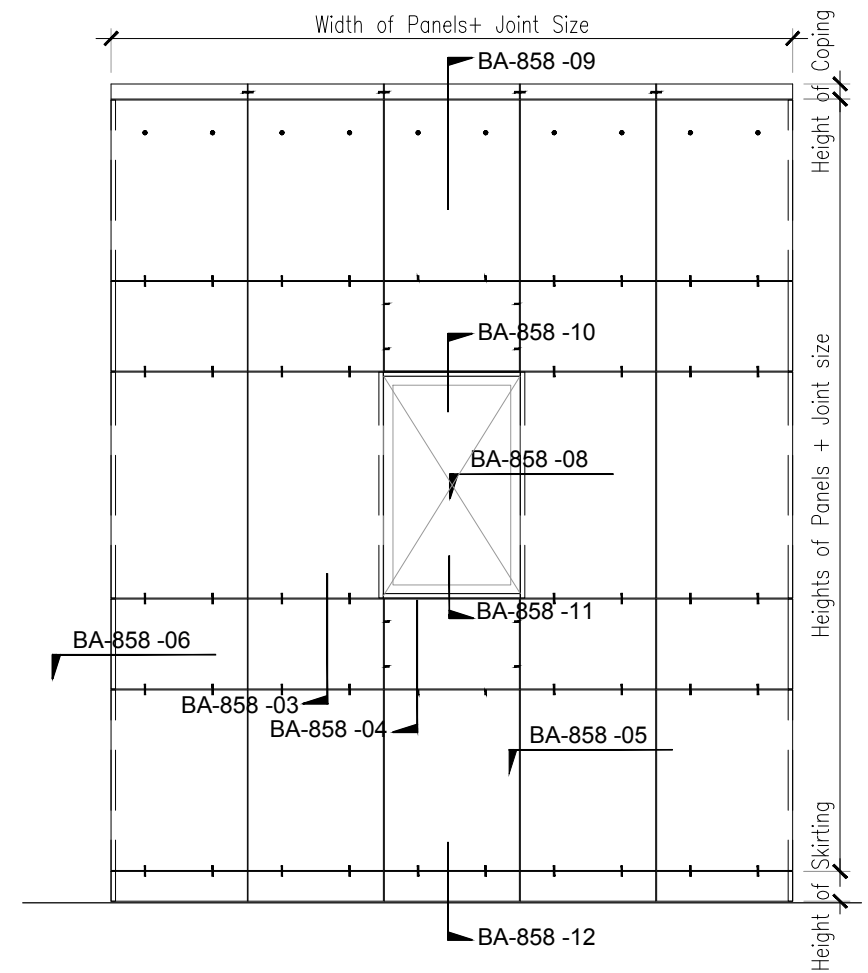
Revision 01 scale As Shown

Page : 2/13

# BA-858



Vertical section Scale 1:4



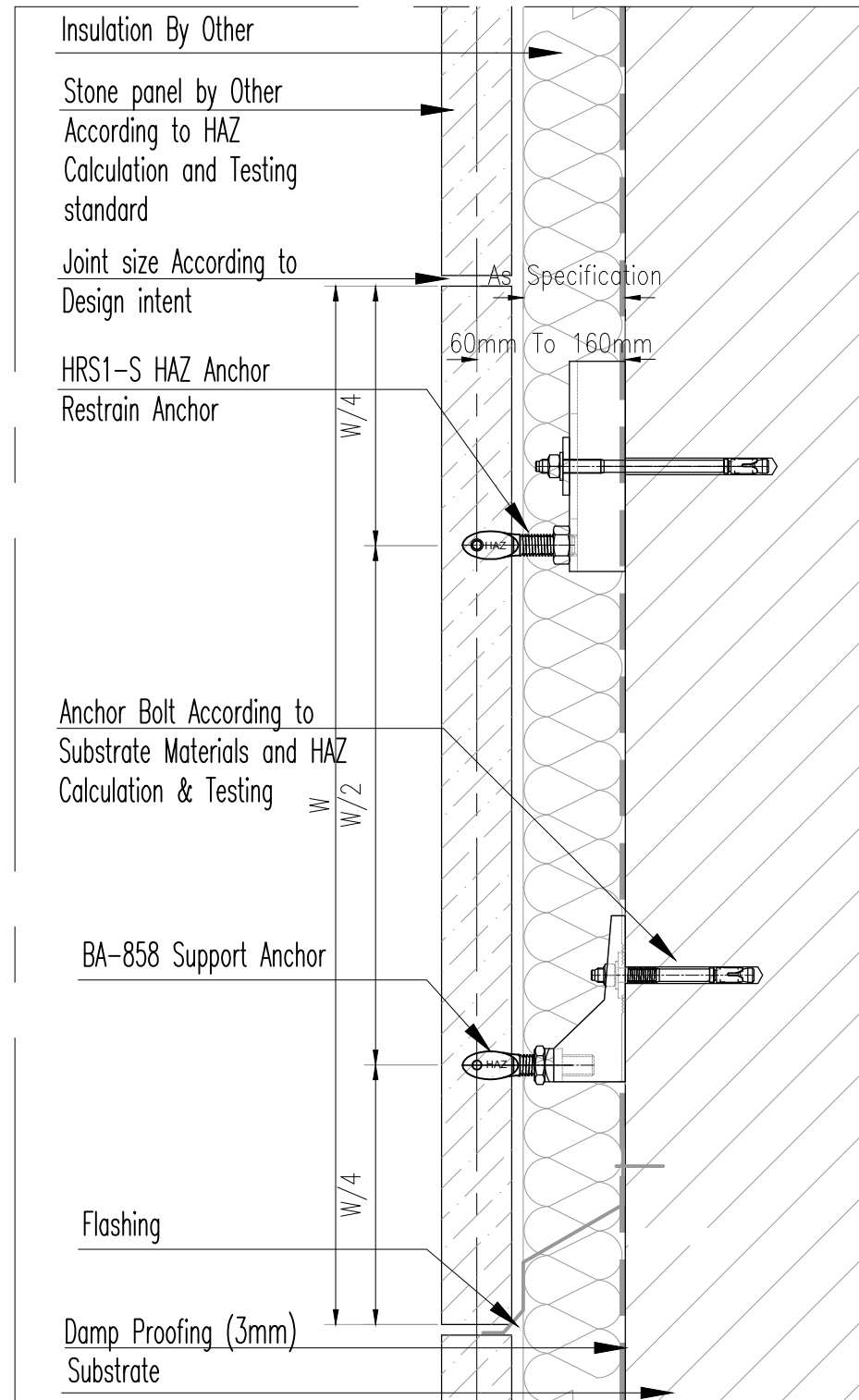
Elevation Scale 1:50



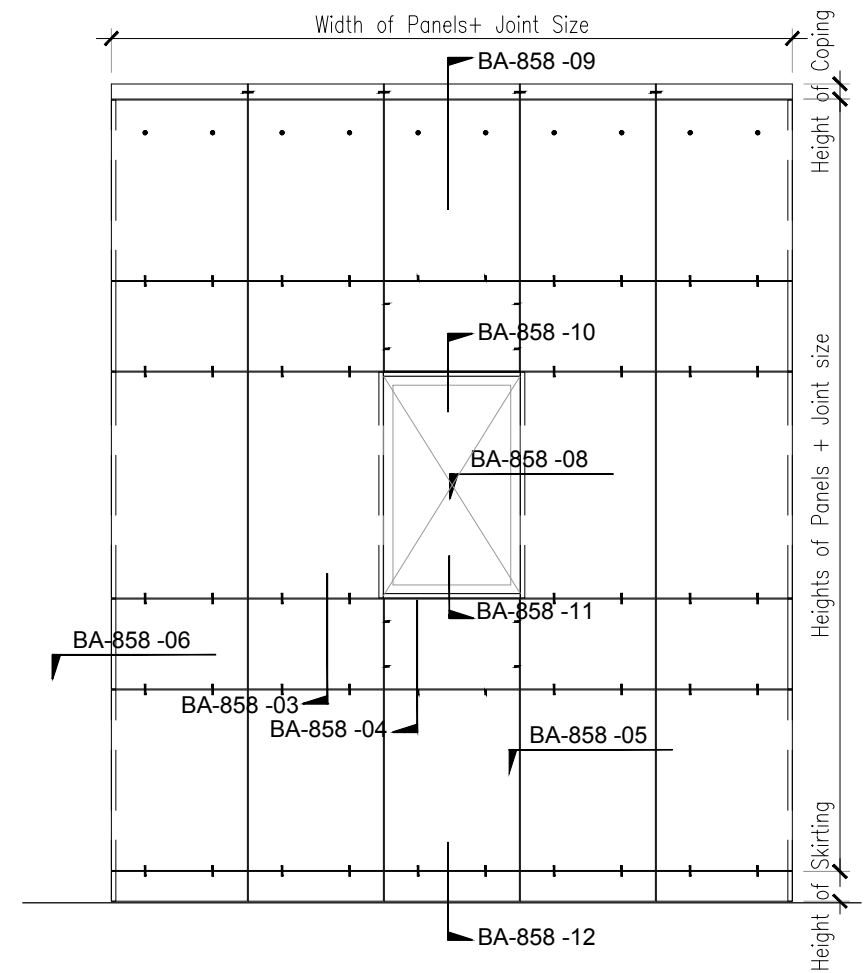
HAZ METAL Sanayi ve Ticaret A.S  
 PO Box 241 31200 Iskenderun / Turkey  
 Tel: +90 326 6262050 Faks: 6262045  
 info@hazmetal.com / www.hazmetal.com.

Title :		Horizontal Joint Installation - Typical Stone Claddings / Rain Screen - Vertical Section		
Drawing No.	HAZCD-BA-858- ST-003			
Series	Concept Drawings - Natural Stone Fixing System - BA-858 Support Anchors			
Revision	01	scale	As Shown	Page : 3/13

# BA-858



Vertical section Scale 1:4



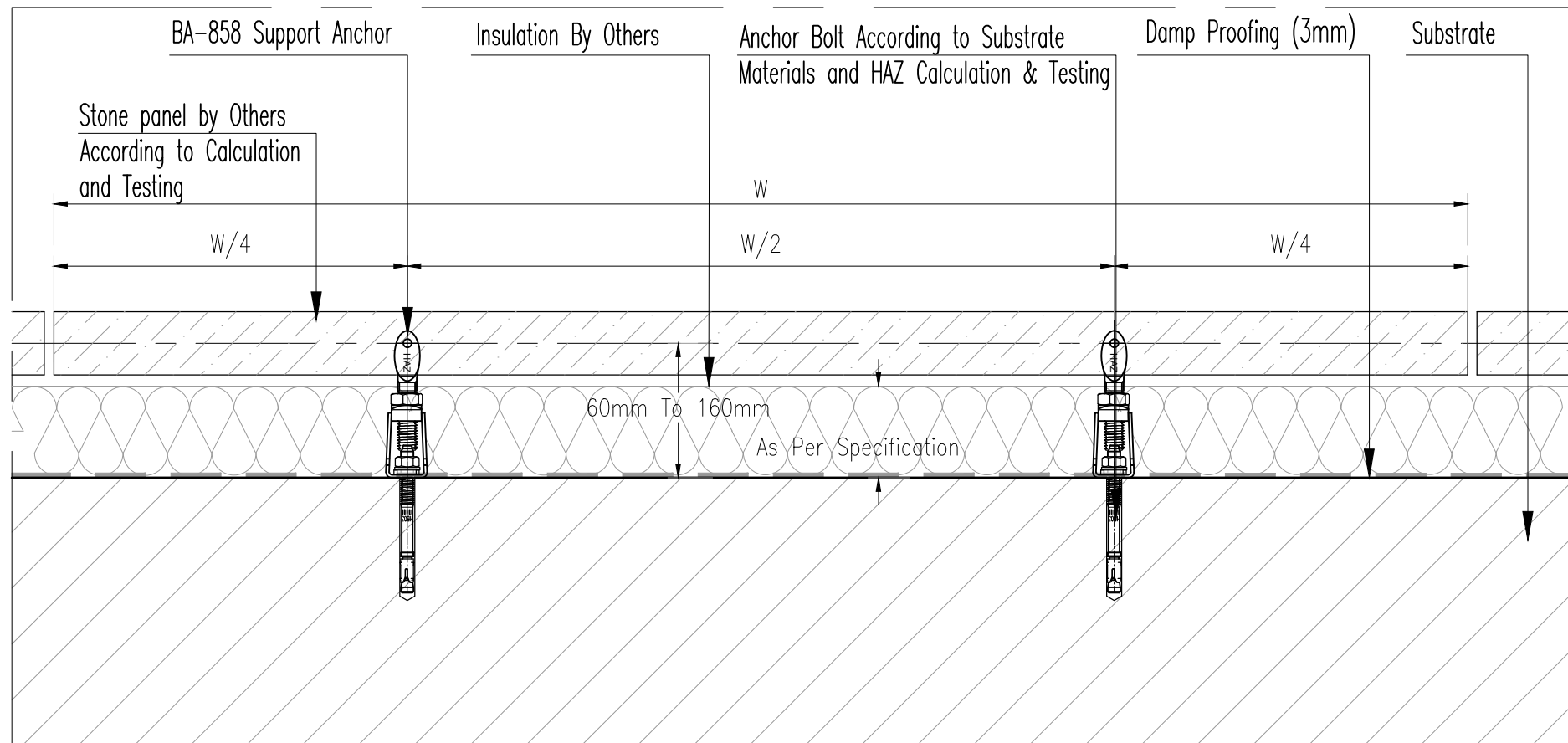
Elevation Scale 1:50



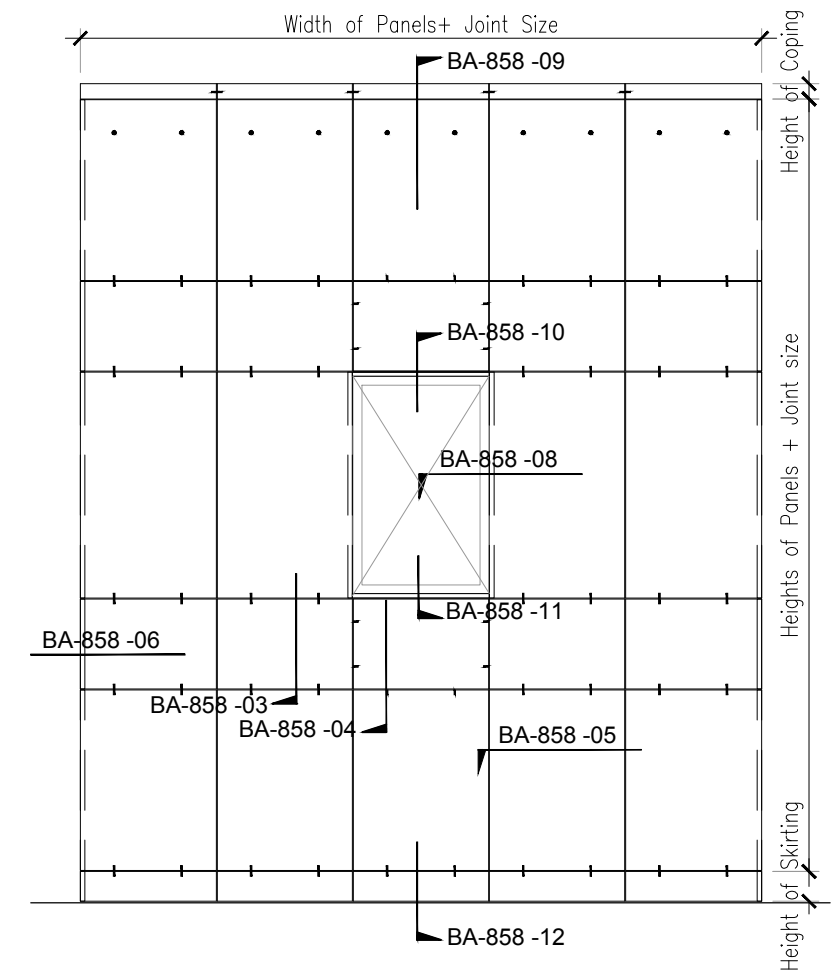
HAZ METAL Sanayi ve Ticaret A.S  
 PO Box 241 31200 Iskenderun / Turkey  
 Tel: +90 326 6262050 Faks: 6262045  
 info@hazmetal.com / www.hazmetal.com.

Title :		Vertical Joint Installation - Typical Stone Claddings / Rain Screen - Vertical Section		
Drawing No.	HAZCD-BA-858- ST-04			
Series	Concept Drawings - Natural Stone Fixing System - BA-858 Support Anchors			
Revision	01	scale	As Shown	Page : 4/13

# BA-858



Horizontal section Scale 1:4



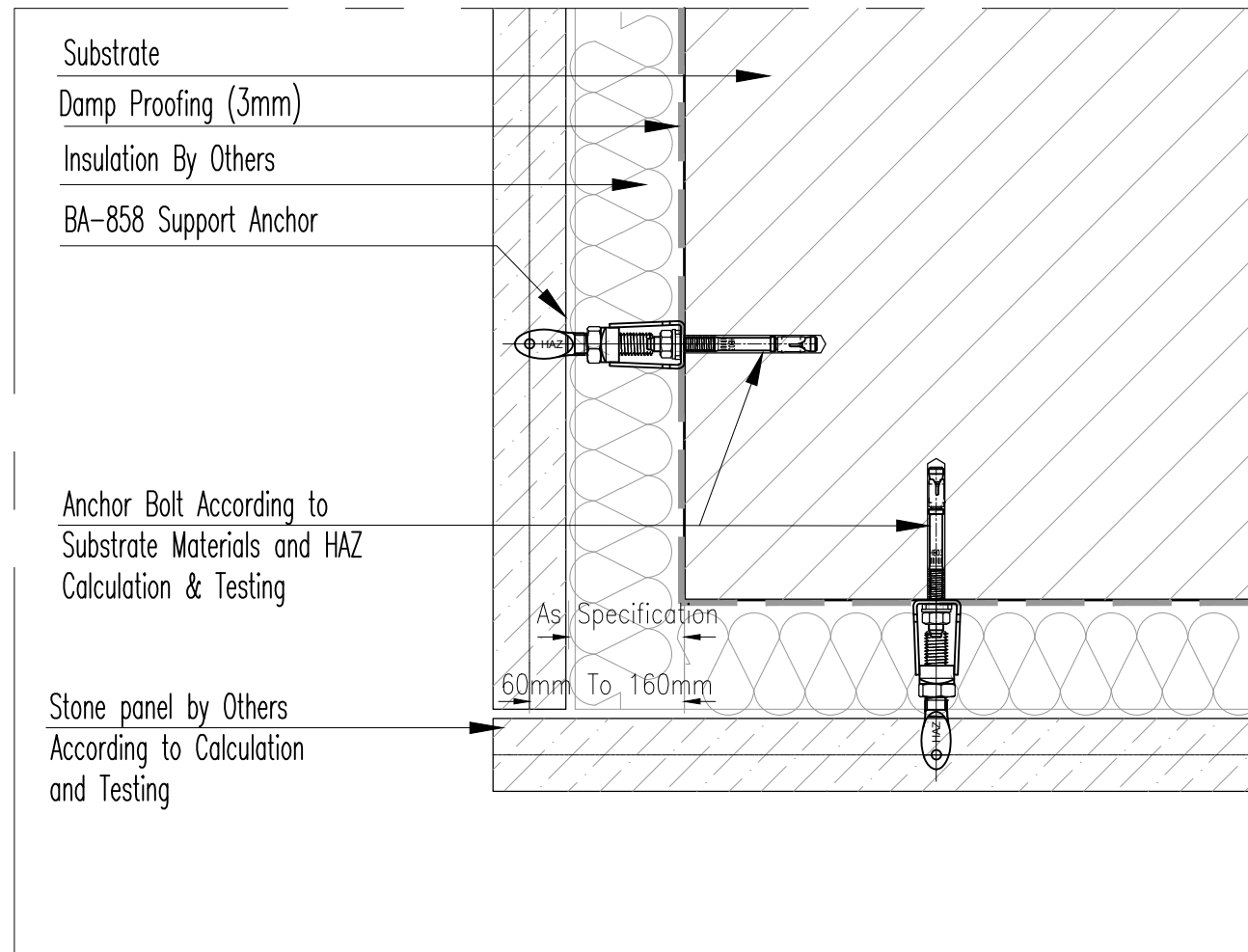
Elevation Scale 1:50



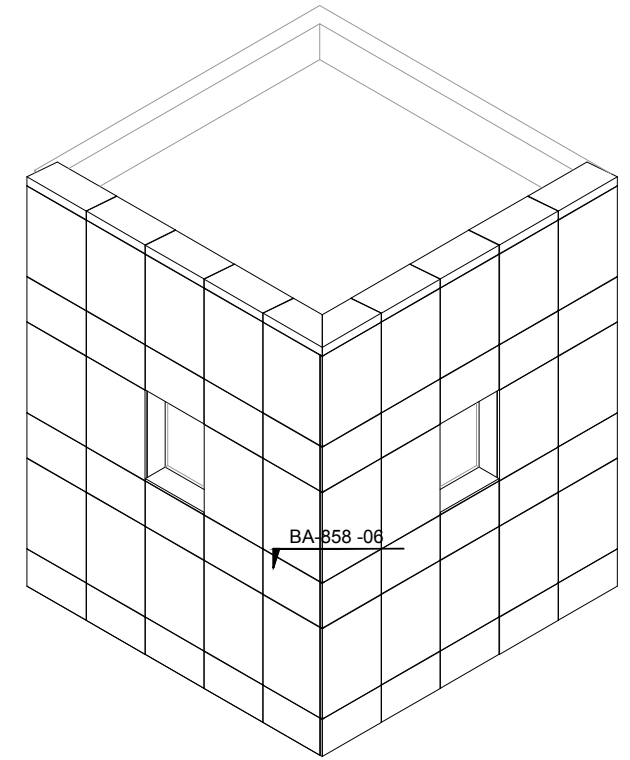
HAZ METAL Sanayi ve Ticaret A.S  
 PO Box 241 31200 Iskenderun / Turkey  
 Tel: +90 326 6262050 Faks: 6262045  
 info@hazmetal.com / www.hazmetal.com.

Title :		Horizontal Joint Installation - Typical Stone Claddings / Rain Screen - Horizontal Section		
Drawing No.	HAZCD-BA-858- ST-05			
Series	Concept Drawings - Natural Stone Fixing System - BA-858 Support Anchors			
Revision	01	scale	As Shown	Page : 5/13

# BA-858



Horizontal section Scale 1:4



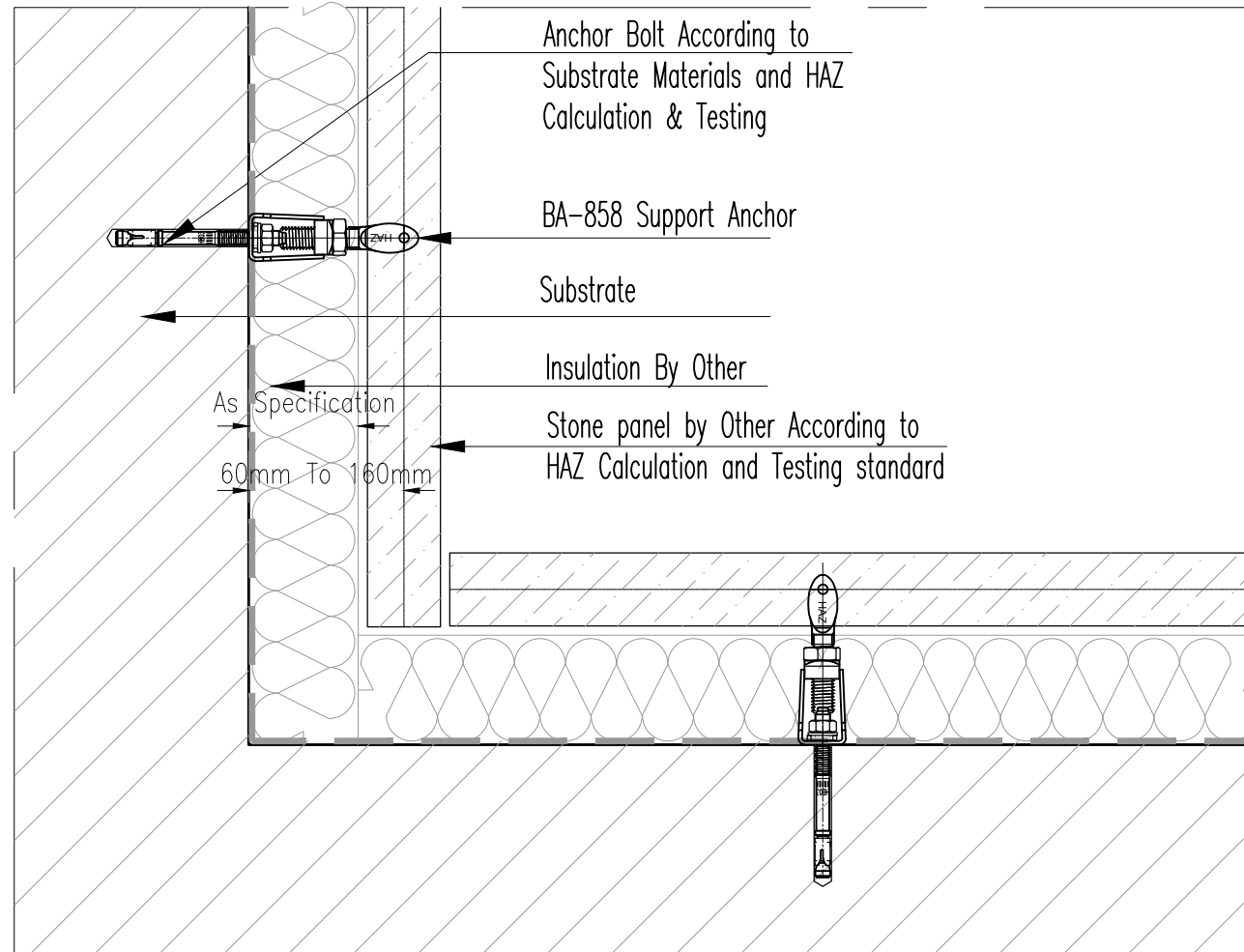
Isometric Scale 1:100



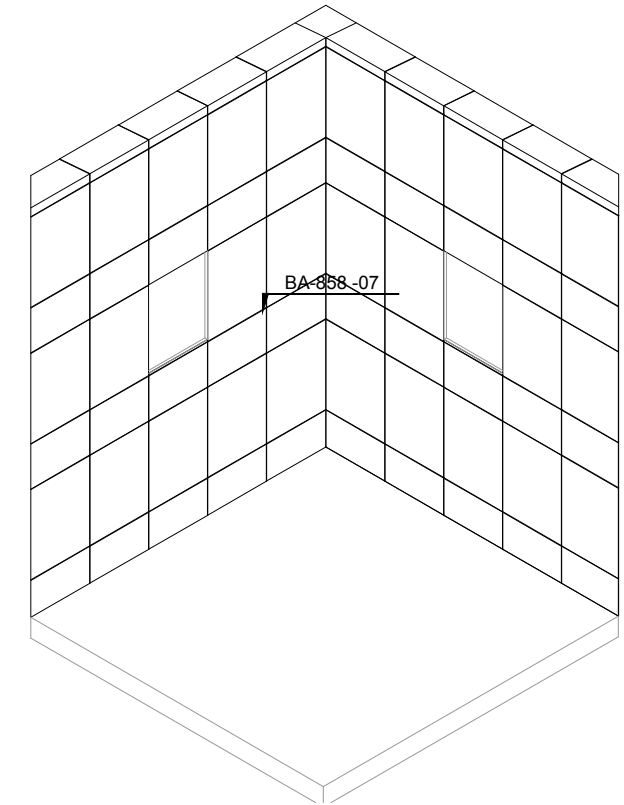
HAZ METAL Sanayi ve Ticaret A.S  
 PO Box 241 31200 Iskenderun / Turkey  
 Tel: +90 326 6262050 Faks: 6262045  
 info@hazmetal.com / www.hazmetal.com.

Title :		Horizontal Joint Installation - External Corner Stone Cladding - Horizontal Section		
Drawing No.	HAZCD-BA-858- ST-06			
Series	Concept Drawings - Natural Stone Fixing System - BA-858 Support Anchors			
Revision	01	scale	As Shown	Page : 6/13

# BA-858



Horizontal section Scale 1:4



Isometric Scale 1:100

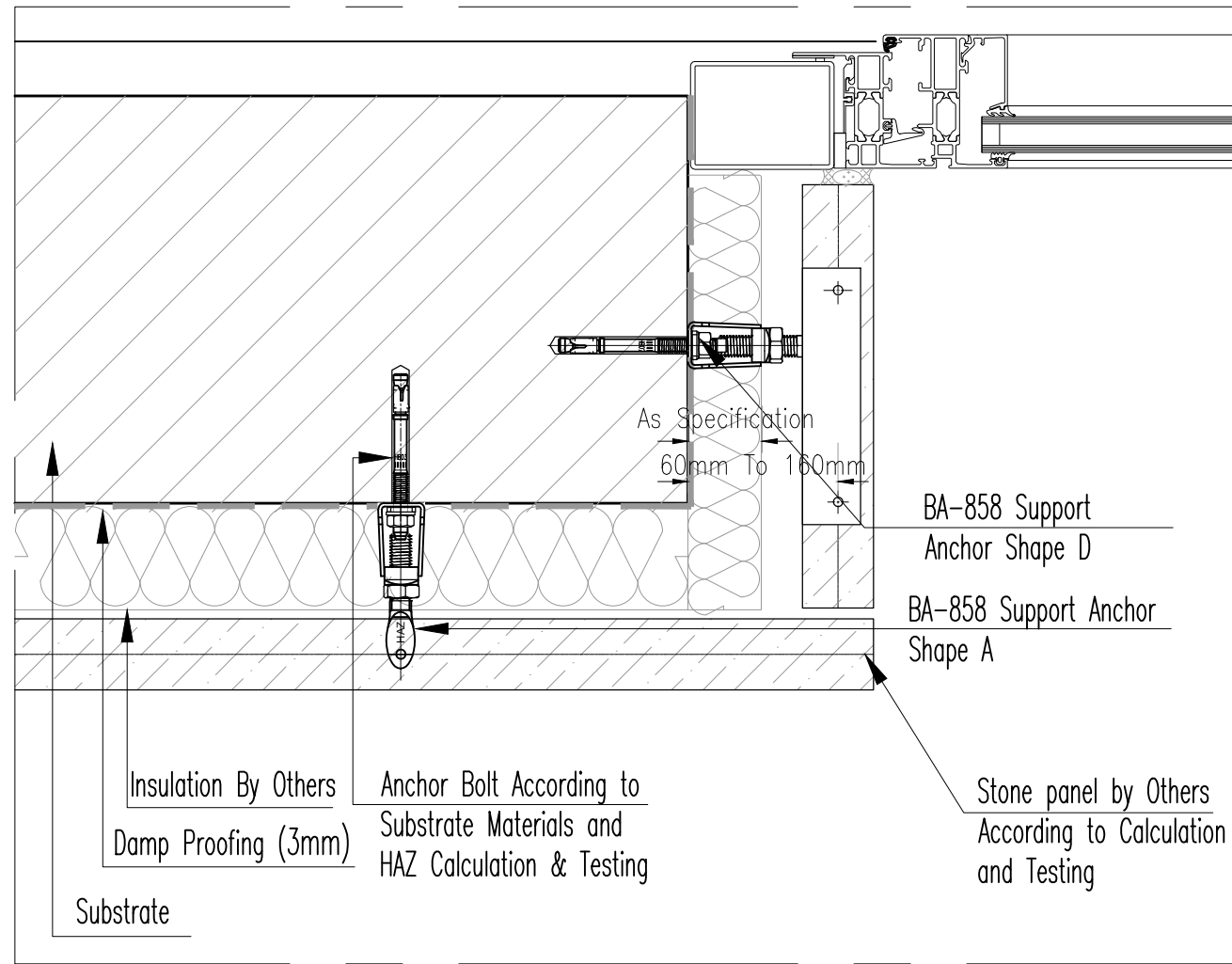


HAZ METAL Sanayi ve Ticaret A.S  
 PO Box 241 31200 Iskenderun / Turkey  
 Tel: +90 326 6262050 Faks: 6262045  
 info@hazmetal.com / www.hazmetal.com.

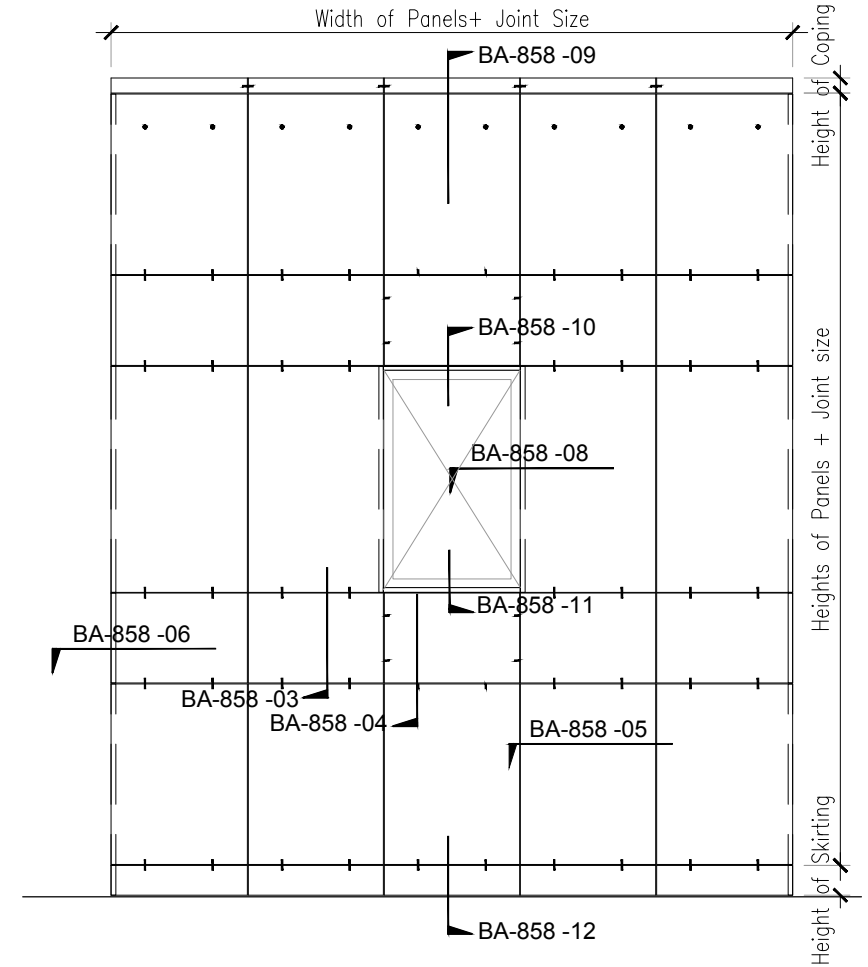
Title :		Horizontal Joint Installation - Internal Corner Stone Cladding - Horizontal Section		
Drawing No.	HAZCD-BA-858- ST-07			
Series	Concept Drawings - Natural Stone Fixing System - BA-858 Support Anchors			
Revision	01	scale	As Shown	Page : 7/13



# BA-858



Horizontal section Scale 1:4



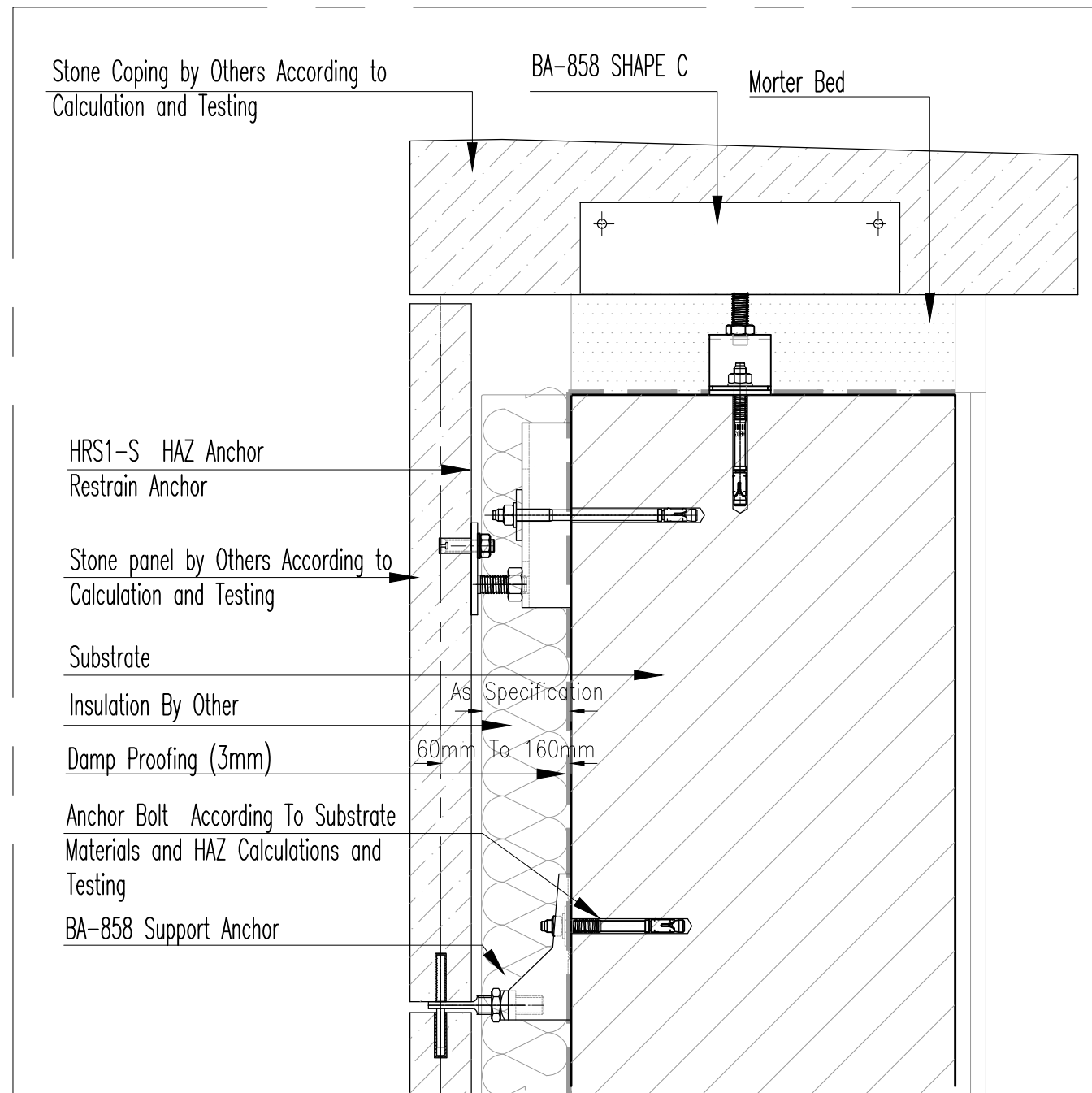
Elevation Scale 1:50



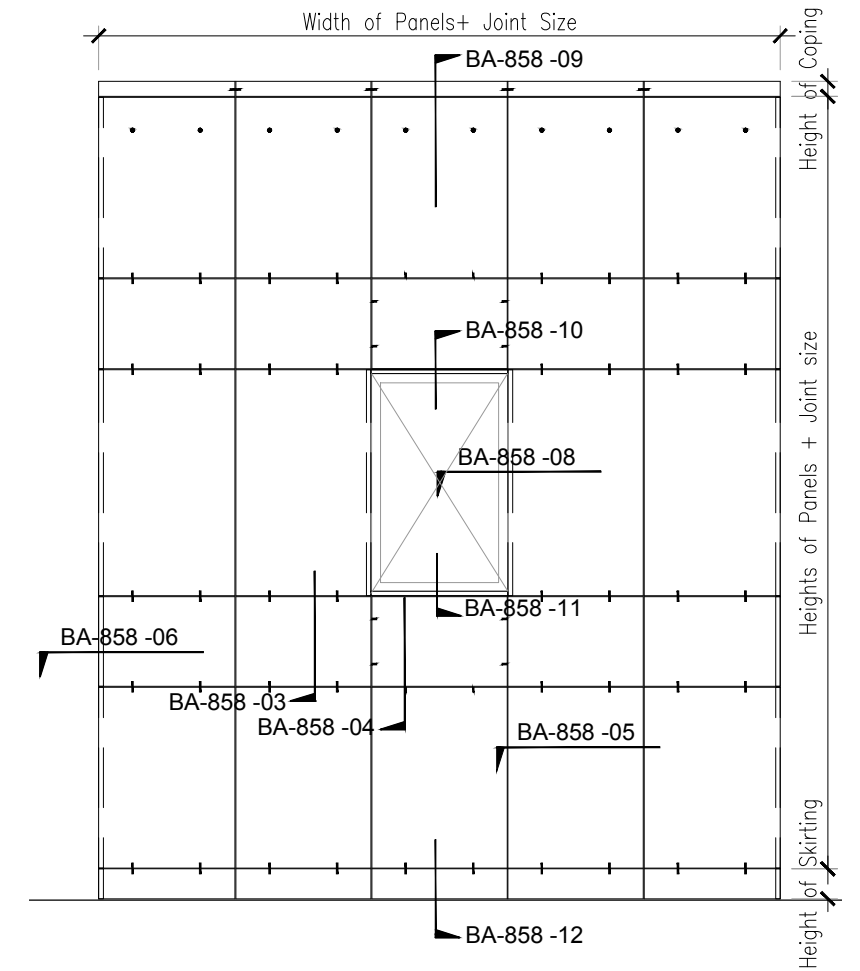
HAZ METAL Sanayi ve Ticaret A.S  
 PO Box 241 31200 Iskenderun / Turkey  
 Tel: +90 326 6262050 Faks: 6262045  
 info@hazmetal.com / www.hazmetal.com.

Title :		Horizontal Joint Installation - Stone Reveal - Horizontal Section		
Drawing No.	HAZCD-BA-858- ST-08			
Series	Concept Drawings - Natural Stone Fixing System - BA-858 Support Anchors			
Revision	01	scale	As Shown	Page : 8/13

# BA-858



Vertical section Scale 1:4



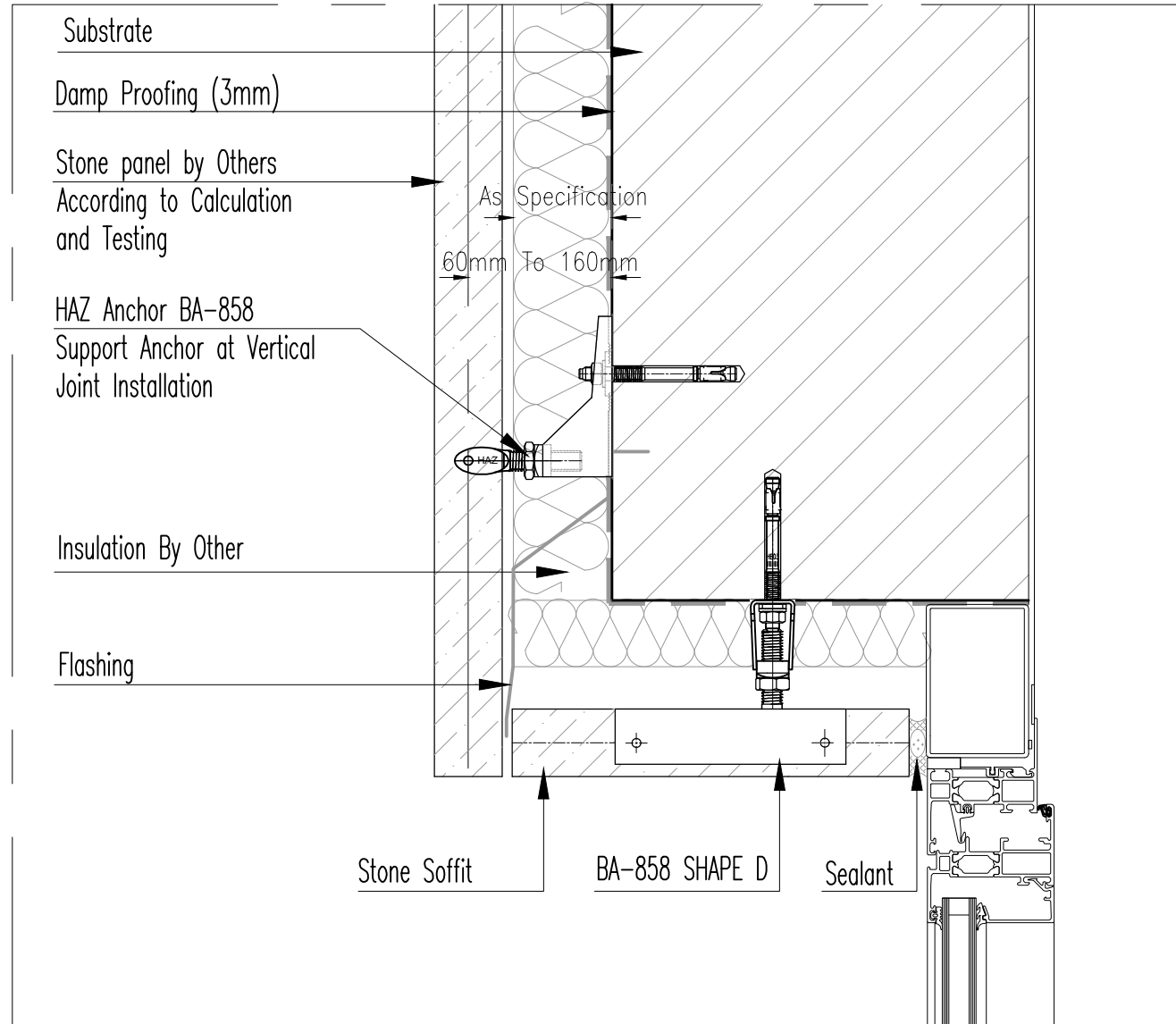
Elevation Scale 1:50



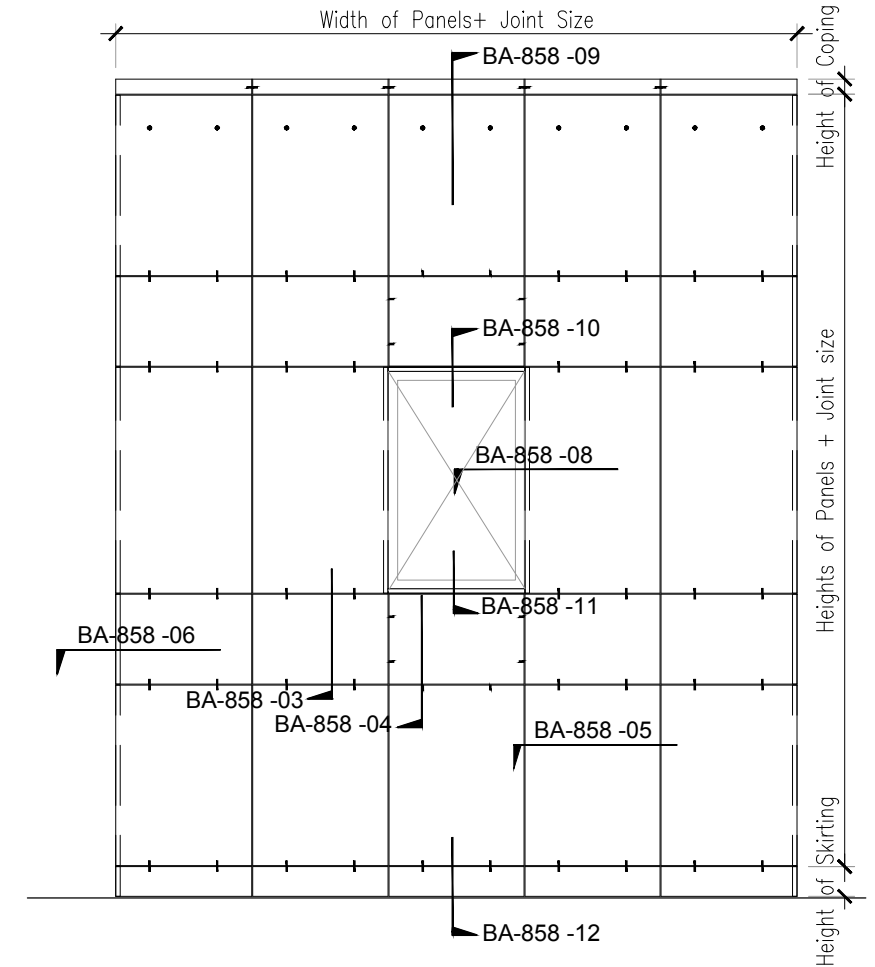
HAZ METAL Sanayi ve Ticaret A.S  
 PO Box 241 31200 Iskenderun / Turkey  
 Tel: +90 326 6262050 Faks: 6262045  
 info@hazmetal.com / www.hazmetal.com.

Title :		Horizontal Joint Installation - Stone Coping - Vertical Section		
Drawing No.	HAZCD-BA-858- ST-09			
Series	Concept Drawings - Natural Stone Fixing System - BA-858 Support Anchors			
Revision	01	scale	As Shown	Page : 9/13

# BA-858



Vertical section Scale 1:4



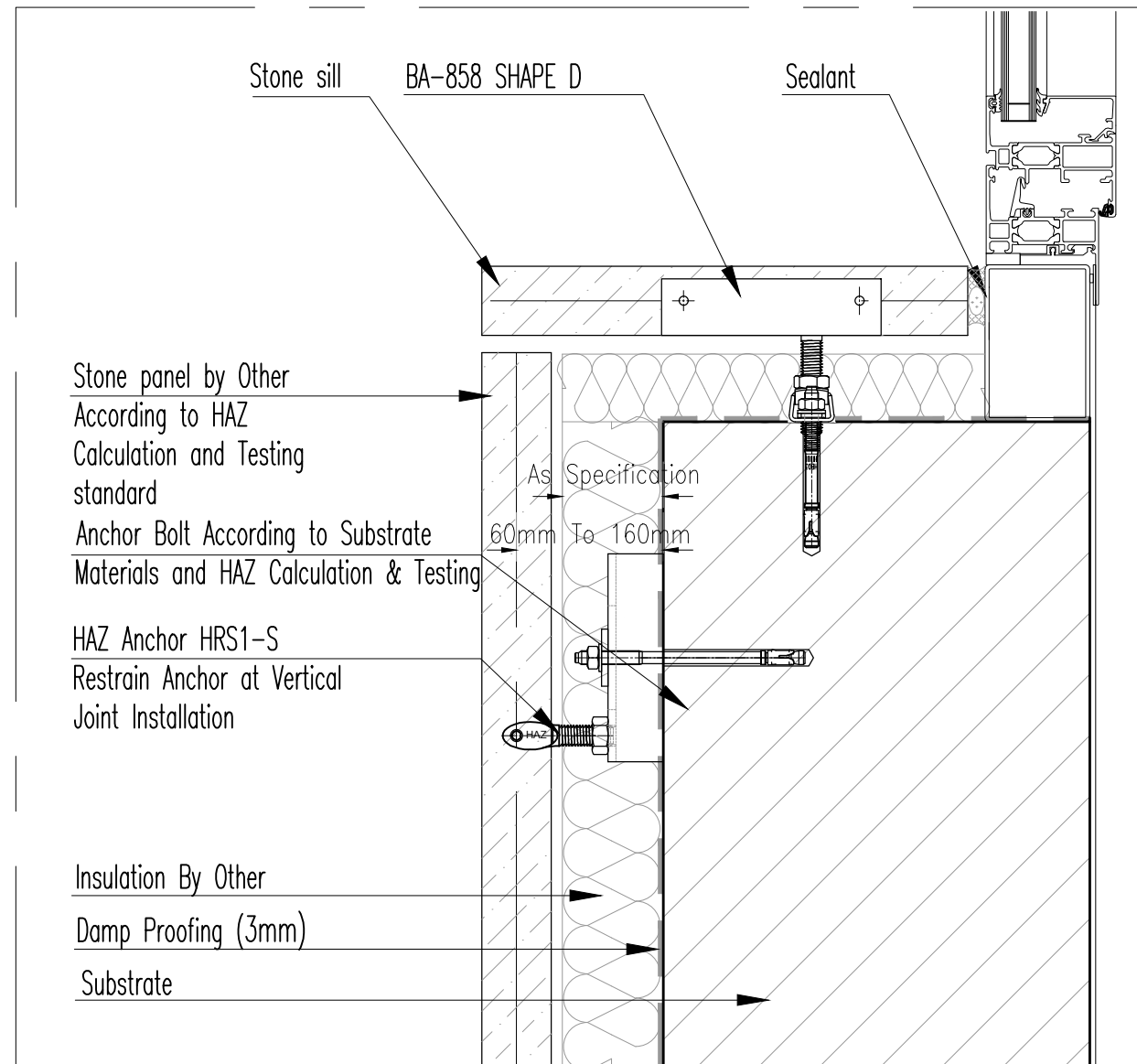
Elevation Scale 1:50



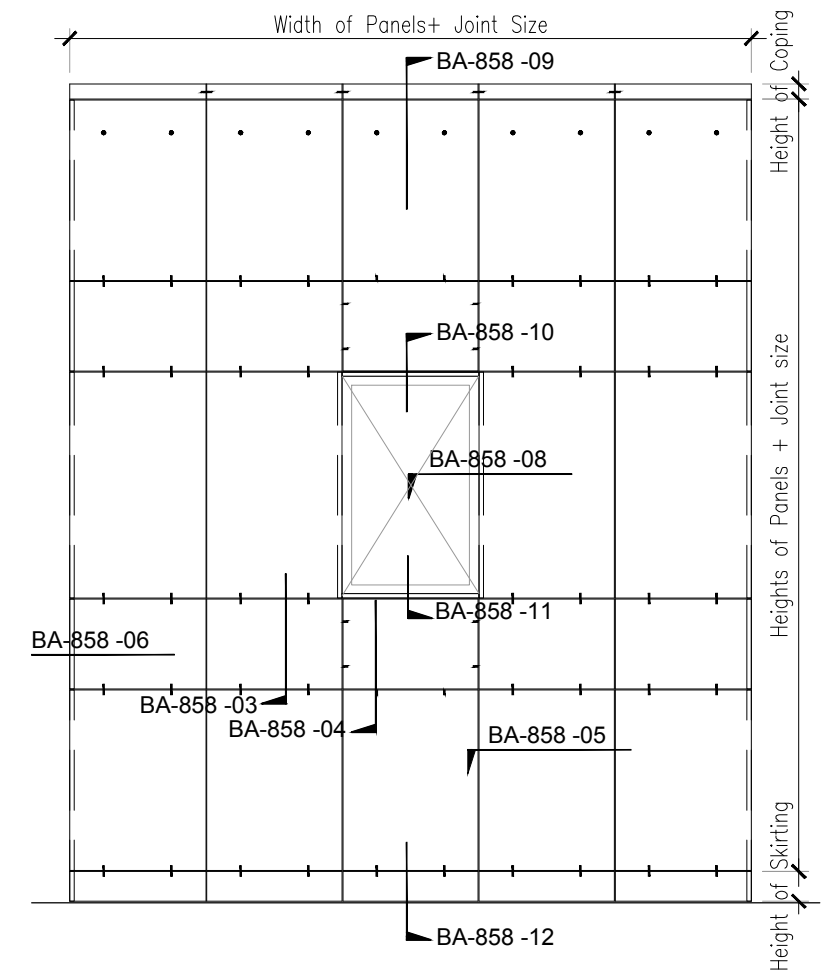
HAZ METAL Sanayi ve Ticaret A.S  
 PO Box 241 31200 Iskenderun / Turkey  
 Tel: +90 326 6262050 Faks: 6262045  
 info@hazmetal.com / www.hazmetal.com.

Title :		Horizontal Joint Installation - Stone Soffit - Vertical Section		
Drawing No.	HAZCD-BA-858-ST-10			
Series	Concept Drawings - Natural Stone Fixing System - BA-858 Support Anchors			
Revision	01	scale	As Shown	Page : 10/13

# BA-858



Vertical section Scale 1:4



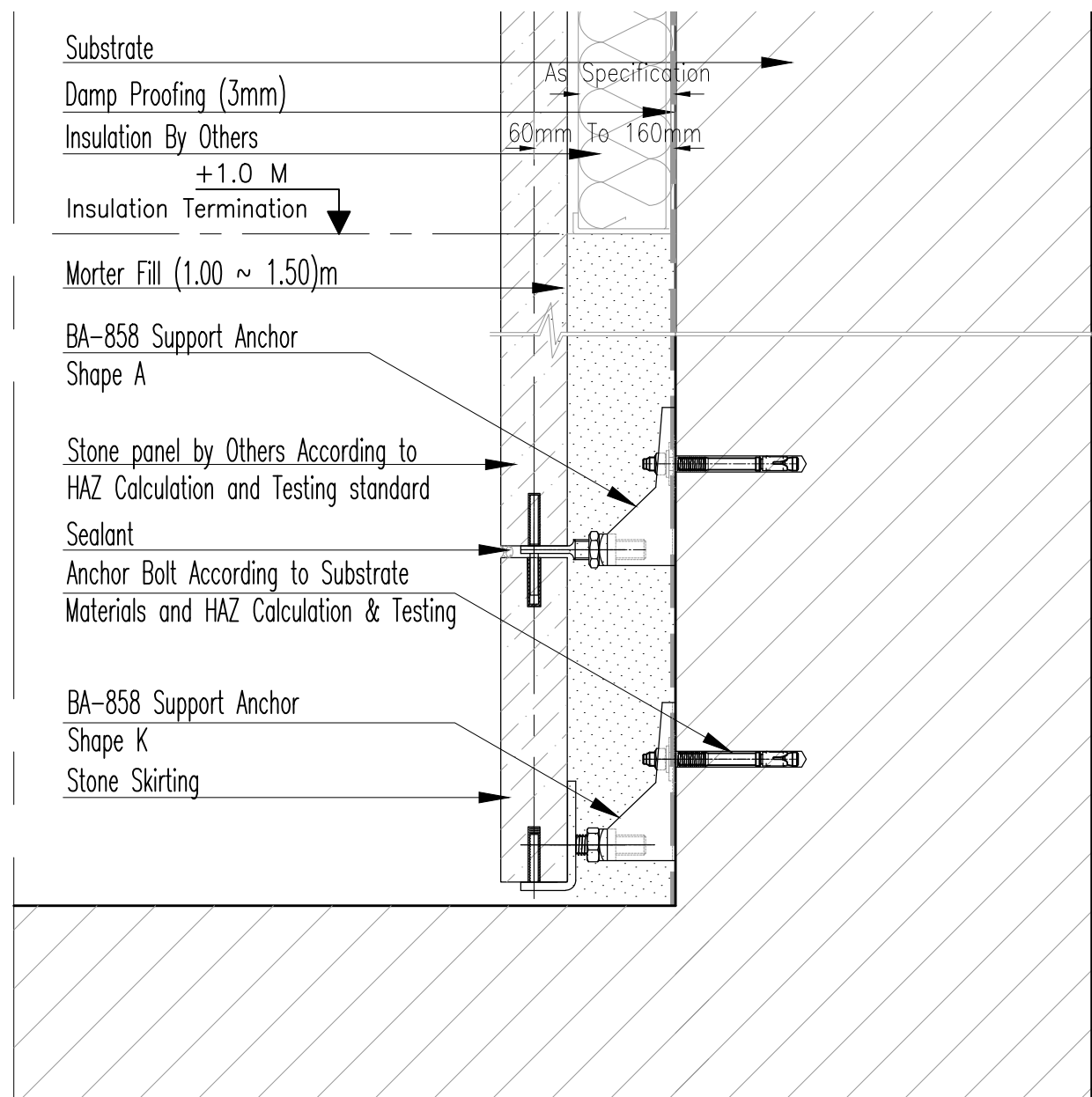
Elevation Scale 1:50



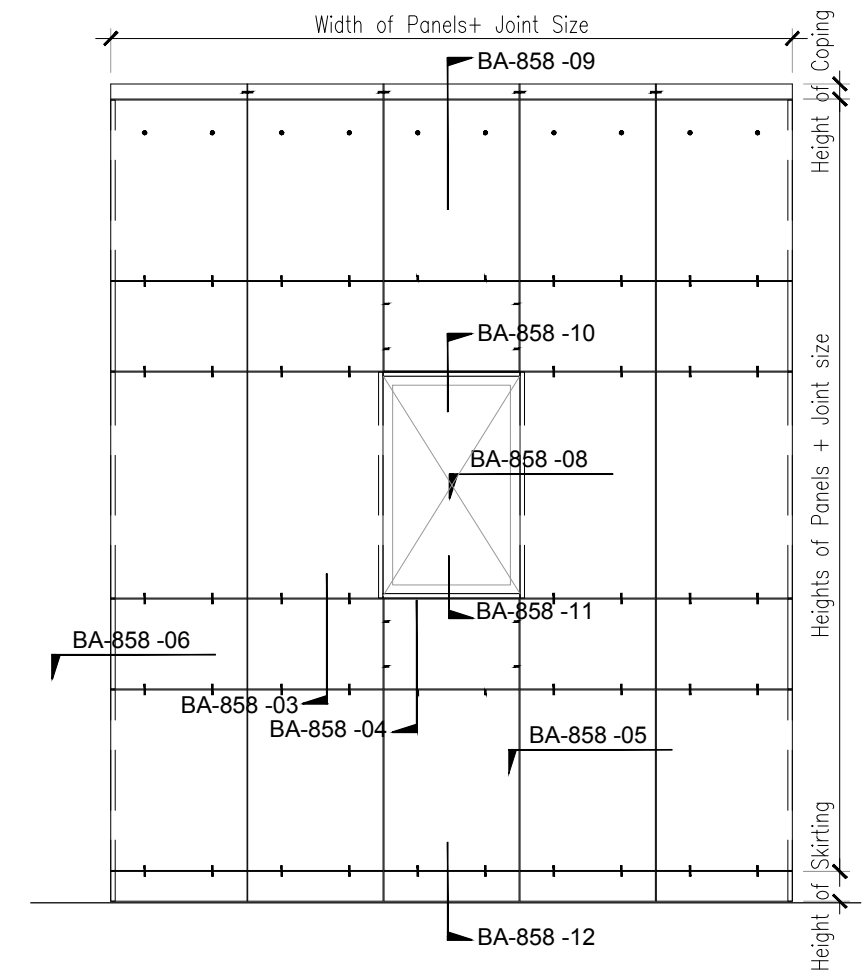
HAZ METAL Sanayi ve Ticaret A.S  
PO Box 241 31200 Iskenderun / Turkey  
Tel: +90 326 6262050 Faks: 6262045  
info@hazmetal.com / www.hazmetal.com.

Title :		Horizontal Joint Installation - Stone Sill - Vertical Section		
Drawing No.	HAZCD-BA-858- ST-011			
Series	Concept Drawings - Natural Stone Fixing System - BA-858 Support Anchors			
Revision	01	scale	As Shown	Page : 11/13

# BA-858



Vertical section Scale 1:4



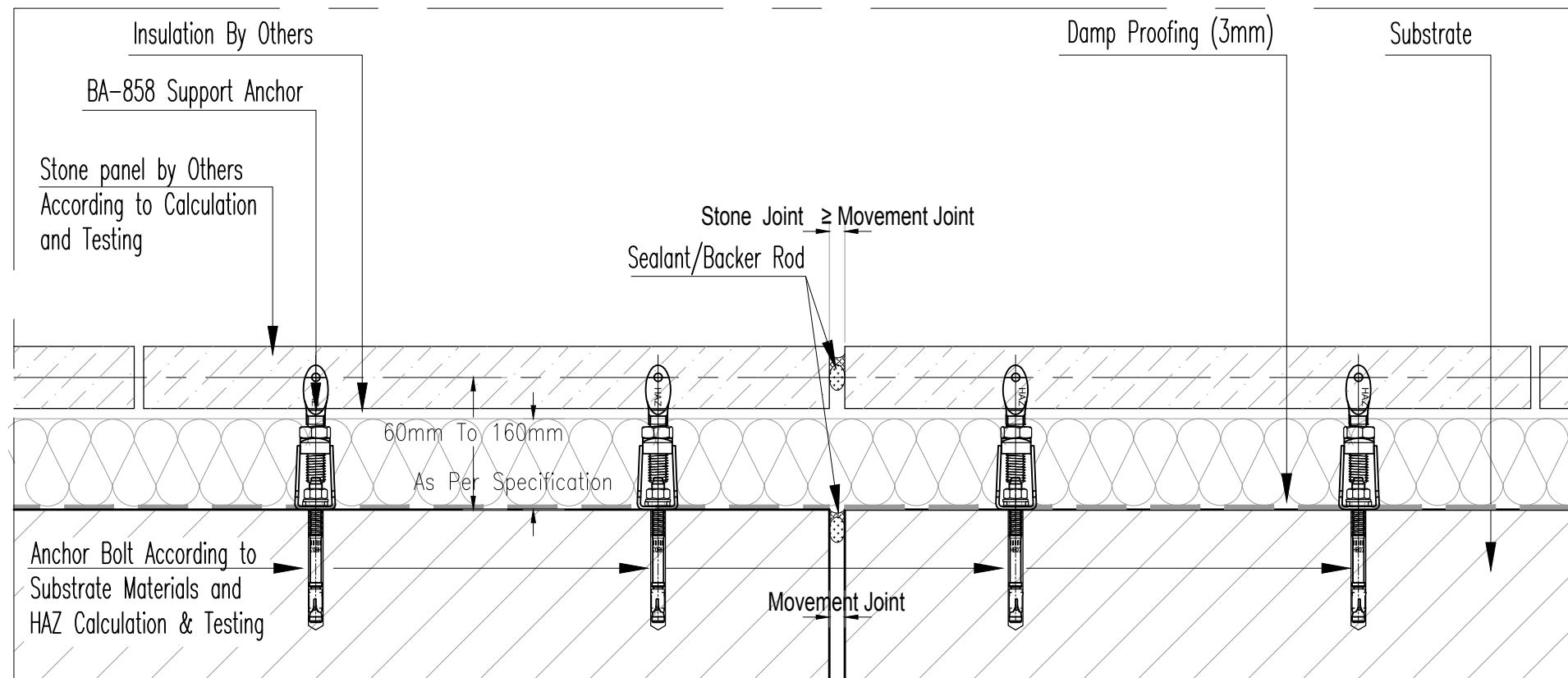
Elevation Scale 1:50



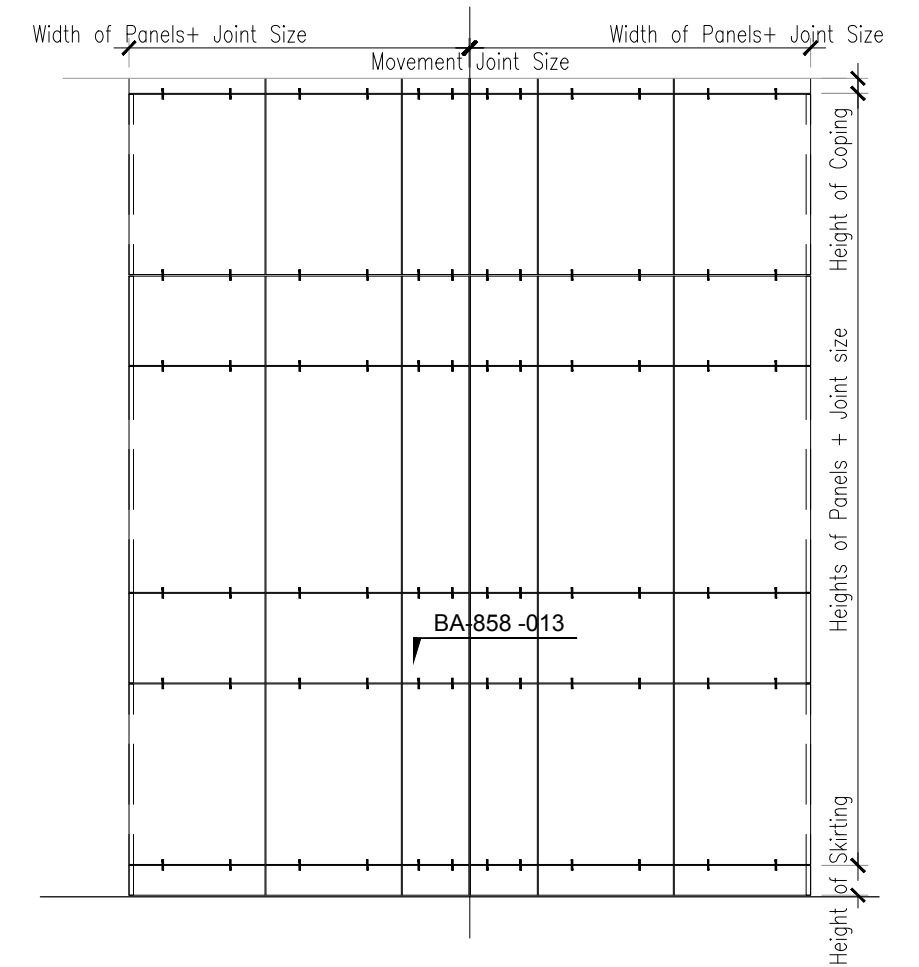
HAZ METAL Sanayi ve Ticaret A.S  
 PO Box 241 31200 Iskenderun / Turkey  
 Tel: +90 326 6262050 Faks: 6262045  
 info@hazmetal.com / www.hazmetal.com.

Title :		Horizontal Joint Installation - Stone Skirting - Vertical Section		
Drawing No.	HAZCD-BA-858- ST-012			
Series	Concept Drawings - Natural Stone Fixing System - BA-858 Support Anchors			
Revision	01	scale	As Shown	Page : 12/13

# BA-858



Horizontal section Scale 1:4



Variation on Typical Elevation Scale 1:50



HAZ METAL Sanayi ve Ticaret A.S  
PO Box 241 31200 Iskenderun / Turkey  
Tel: +90 326 6262050 Faks: 6262045  
info@hazmetal.com / www.hazmetal.com.

Title :		Horizontal Joint Installation - Typical Stone Claddings - Movement Joint - Horizontal Section		
Drawing No.	HAZCD-BA-858-ST-013			
Series	Concept Drawings - Natural Stone Fixing System - BA-858 Support Anchors			
Revision	01	scale	As Shown	Page : 13/13