

HAZ METAL
FIXING SYSTEMS

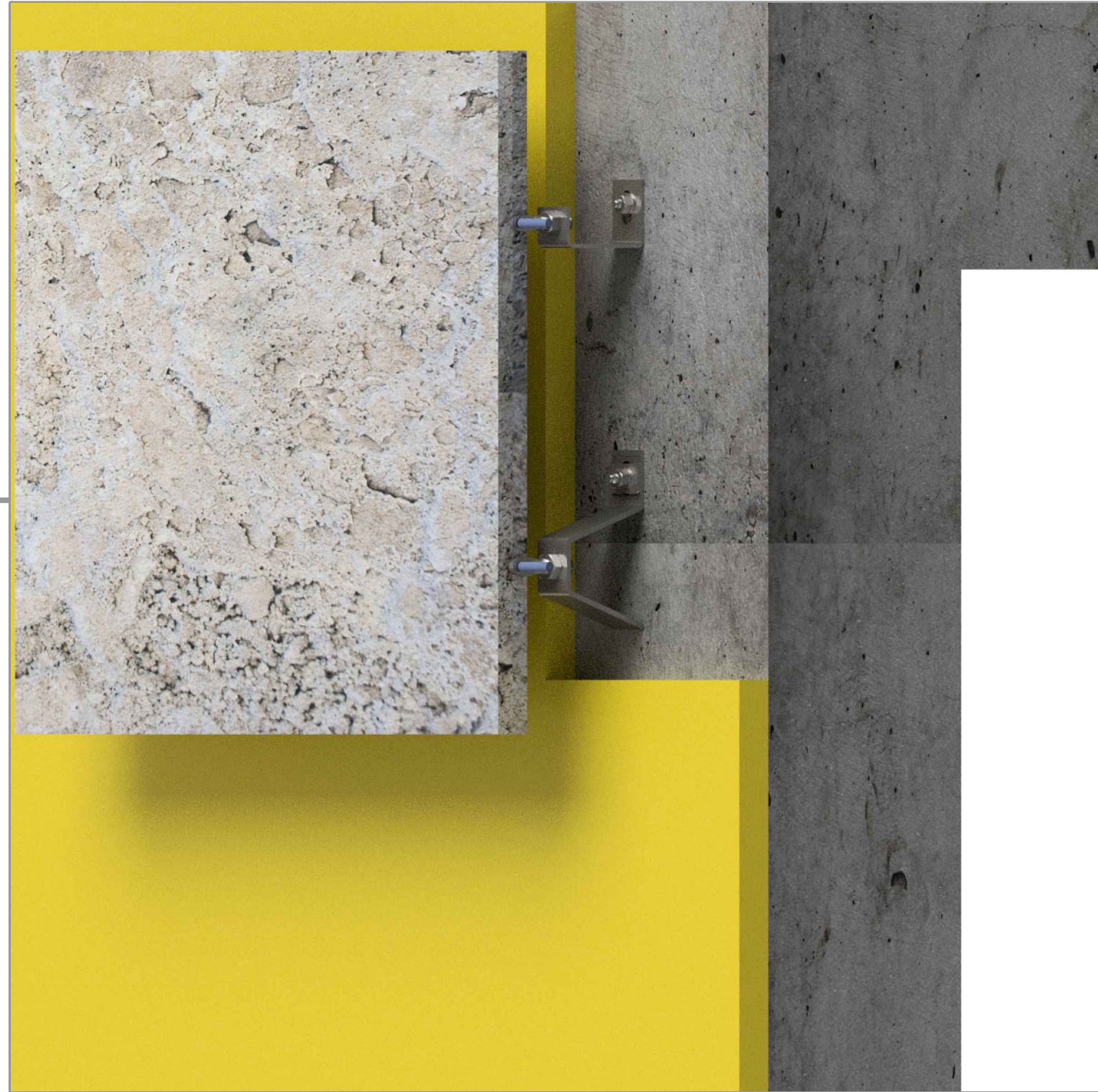
HZ02-S

HZ Z ANCHOR FIXING SYSTEM

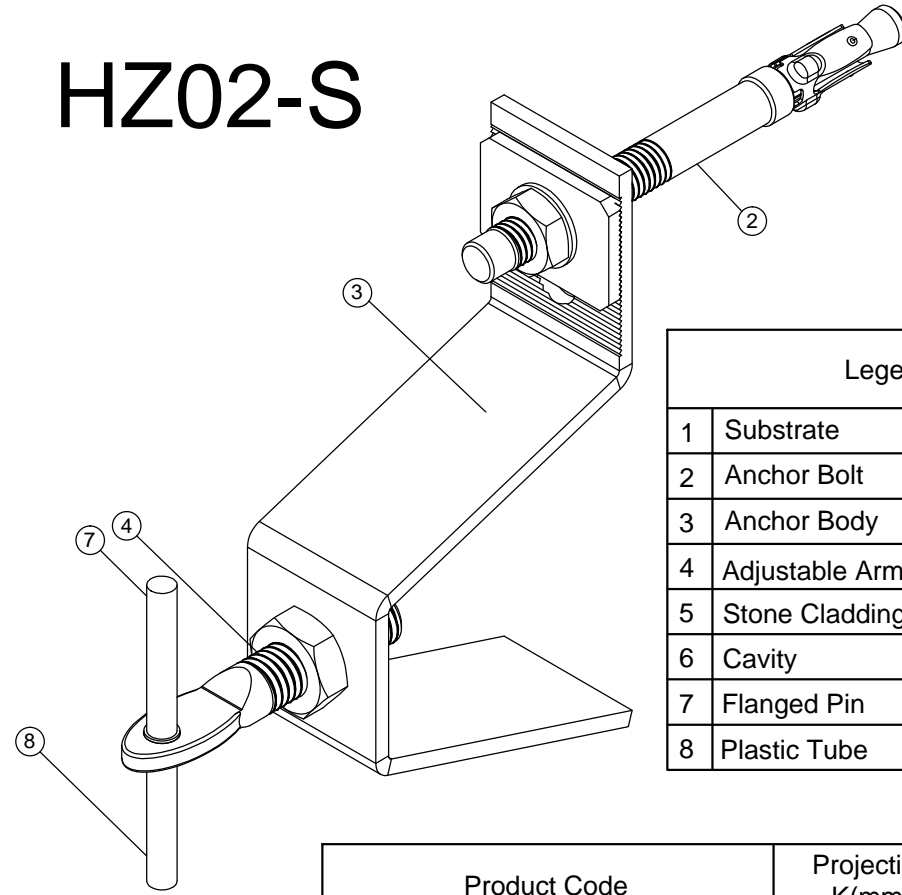
Concept Drawings

Series: HAZCD-HZ02-S-ST

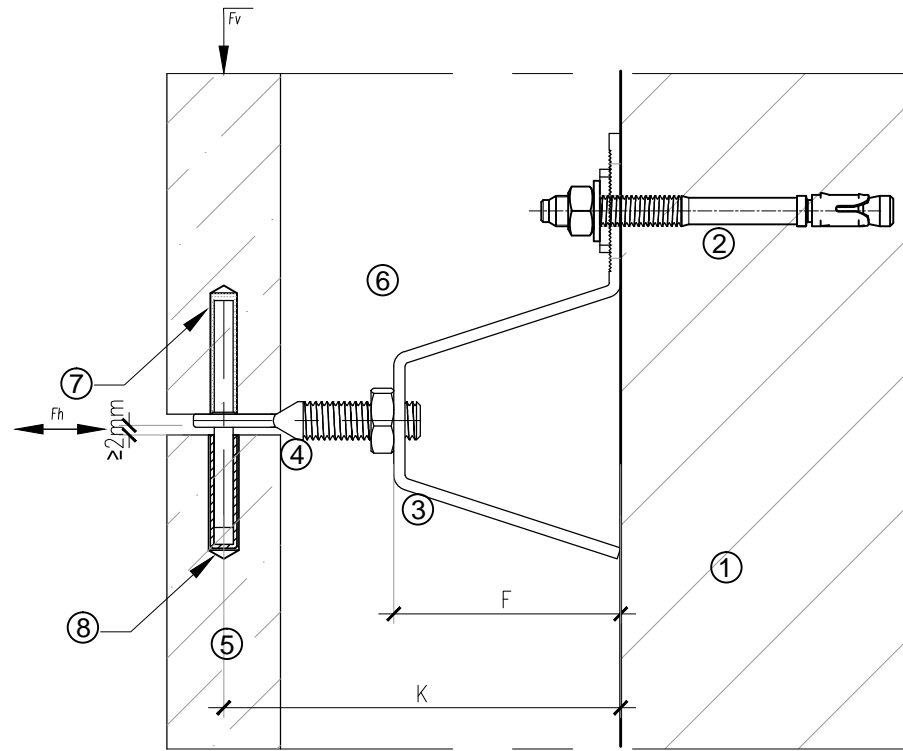
Direct Fixing System For Rain Screen
Stone Cladding System for Installation at
Vertical and Horizontal Joints



HZ02-S

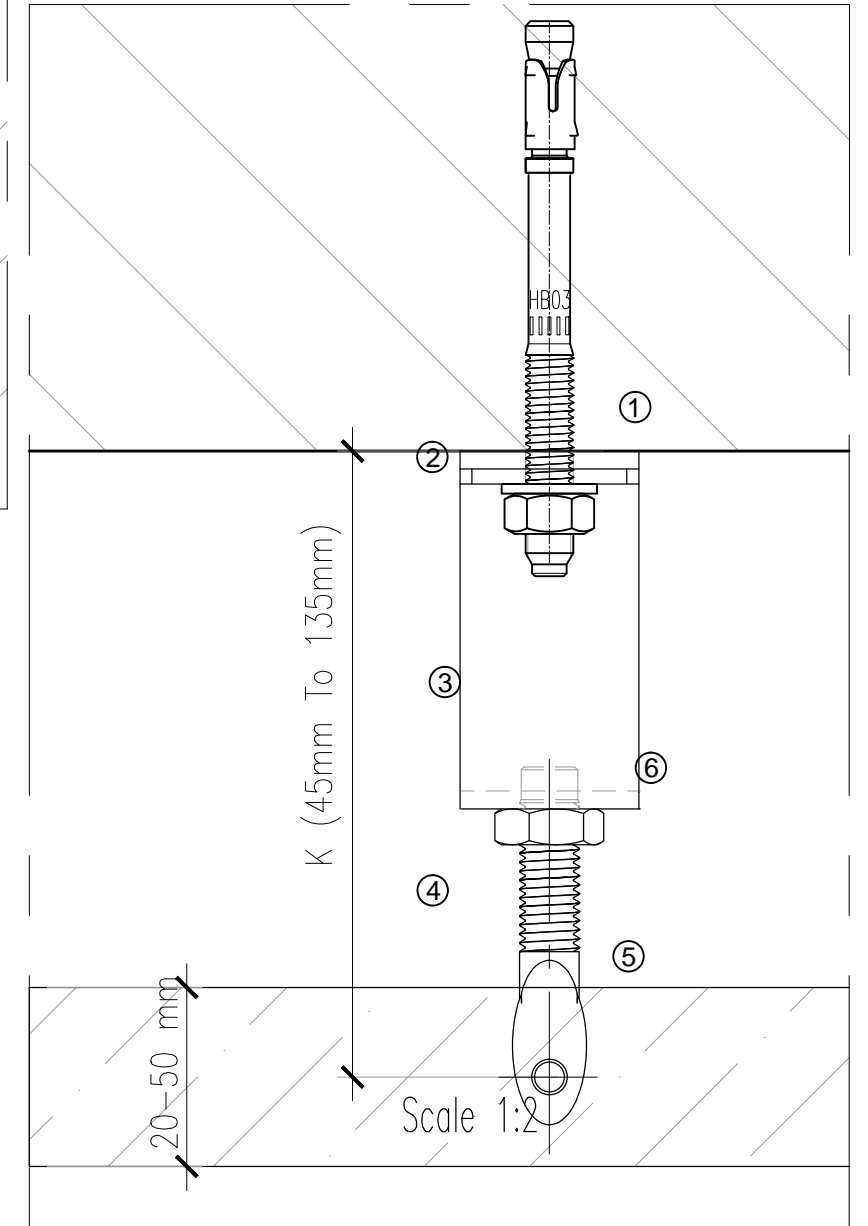


Legend	
1	Substrate
2	Anchor Bolt
3	Anchor Body
4	Adjustable Arm
5	Stone Cladding Panel
6	Cavity
7	Flanged Pin
8	Plastic Tube



Scale 1:2

Product Code	Projection K(mm)	Perm. Load Fv(kN)	Wind Load Fv(kN)	Body size (mm)	Adjustable arm (mm)	Bolt size (Metric)
HZ02-S-33010/10	40	500	350	3X30XF10	M10X50	M8
HZ02-S-33020/10	50	500	350	3X30XF20	M10X50	M8
HZ02-S-33040/10	75	400	320	3X30XF40	M10X60	M8
HZ02-S-33060/10	95	400	320	3X30XF60	M10X60	M8
HZ02-S-33080/10	125	300	320	3X30XF80	M10X70	M8
HZ02-S-330100/10	145	300	300	3X30XF100	M10X70	M8
HZ02-S-43040/12	75	600	450	4X30XF40	M12X60	M8
HZ02-S-43060/12	95	500	450	4X30XF60	M12X80	M8
HZ02-S-43080/12	115	500	400	4X30XF80	M12X80	M8
HZ02-S-430100/12	135	400	400	4X30XF100	M12X80	M8
HZ02-S-53540/14	75	800	500	5X35XF40	M14X60	M10
HZ02-S-53560/14	95	800	500	5X35XF60	M14X80	M10
HZ02-S-53580/14	115	600	450	5X35XF80	M14X80	M10
HZ02-S-535100/14	135	500	450	5X35XF100	M14X80	M10



Scale 1:2



HAZ METAL Sanayi ve Ticaret A.S
PO Box 241 31200 Iskenderun / Turkey
Tel: +90 326 6262050 Faks: 6262045
info@hazmetal.com / www.hazmetal.com.

Title : Natural Stone Facade - Built-up Cavity Wall - System HZ02-S Specification

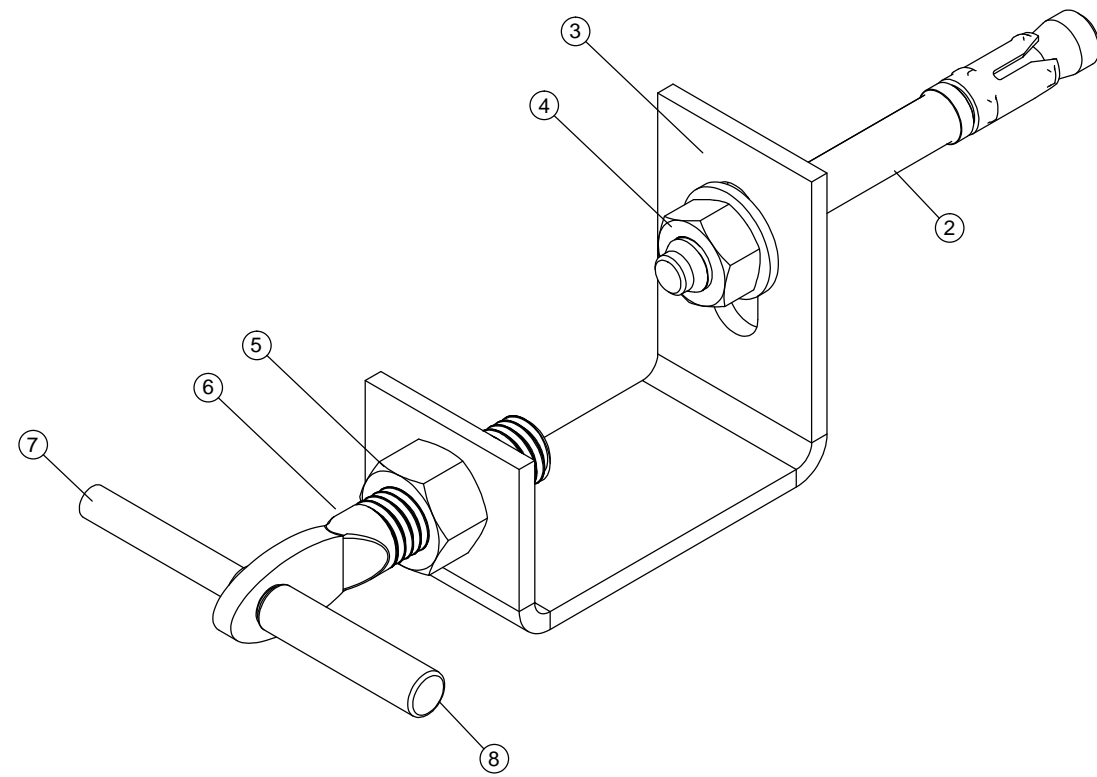
Drawing No. HAZCD-HZ02-S-ST-01

Series Concept Drawings - Natural Stone Fixing System - HZ02-S Support Anchors

Revision 01 scale As Shown

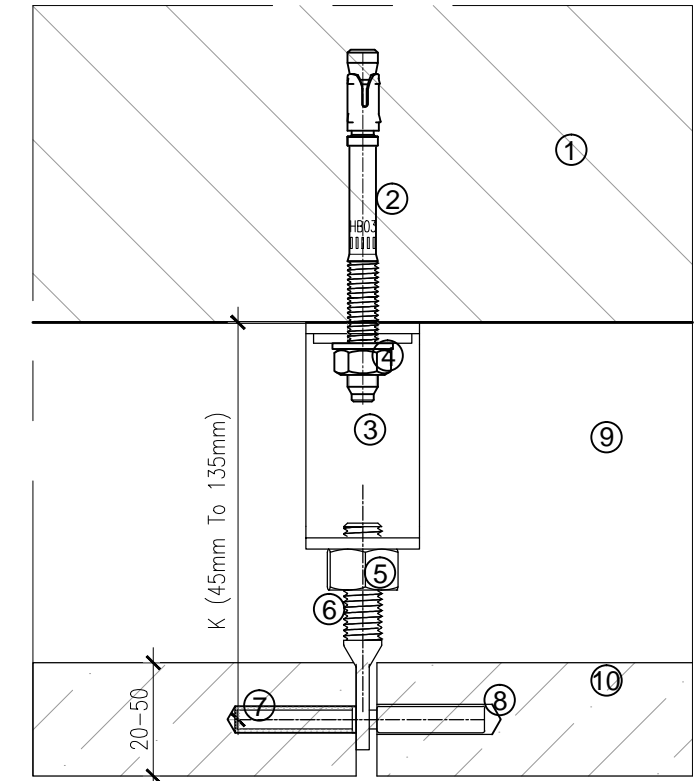
Page : 1/13

HRS01

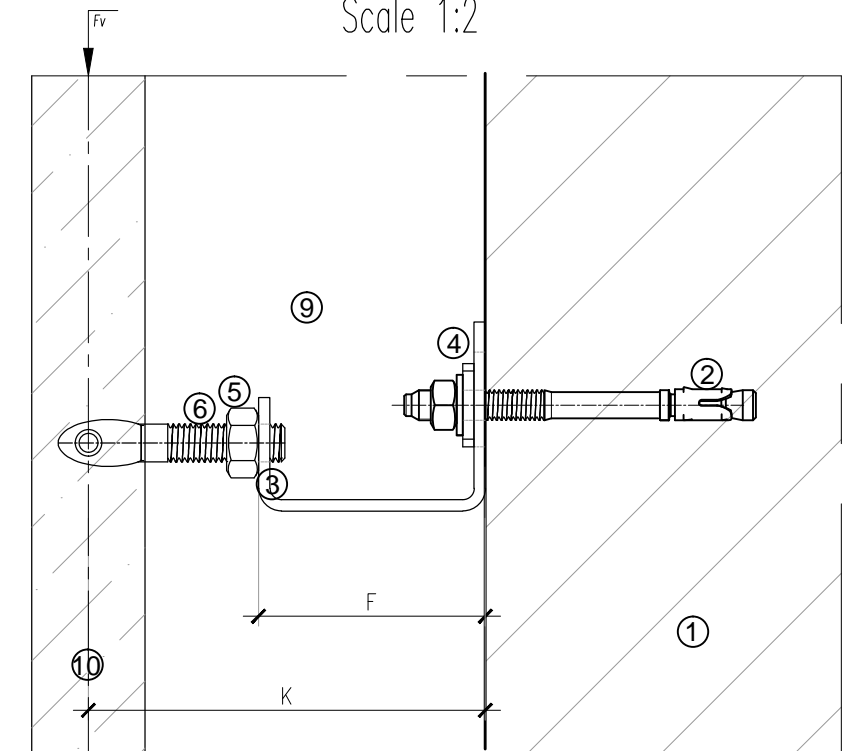


Legend	
1	Substrate
2	Anchor Bolt
3	Anchor Body
4	Hex Nut for Bolt
5	Hex Nut for Adjustable Arm
6	Adjustable Arm
7	Flanged Pin
8	Plastic Tube
9	Cavity
10	Stone Cladding Panel

Product Code	Projection K(mm)	Wind Load Fv(kN)	Body size (mm)	Adjustable arm (mm)	Bolt size (Metric)
HRS1-S-33010-10	45	650	3X30XF10	M10X60	M8
HRS1-S-33020-10	55		3X30XF20		
HRS1-S-33040-10	75		3X30XF40		
HRS1-S-33060-10	95		3X30XF60		
HRS1-S-33080-10	115		3X30XF80		
HRS1-S-330100-10	135		3X30XF100		



Scale 1:2



Scale 1:2



HAZ METAL Sanayi ve Ticaret A.S
PO Box 241 31200 Iskenderun / Turkey
Tel: +90 326 6262050 Faks: 6262045
info@hazmetal.com / www.hazmetal.com.

Title : Natural Stone Facade - Built-up Cavity Wall - System HRS01 Specification

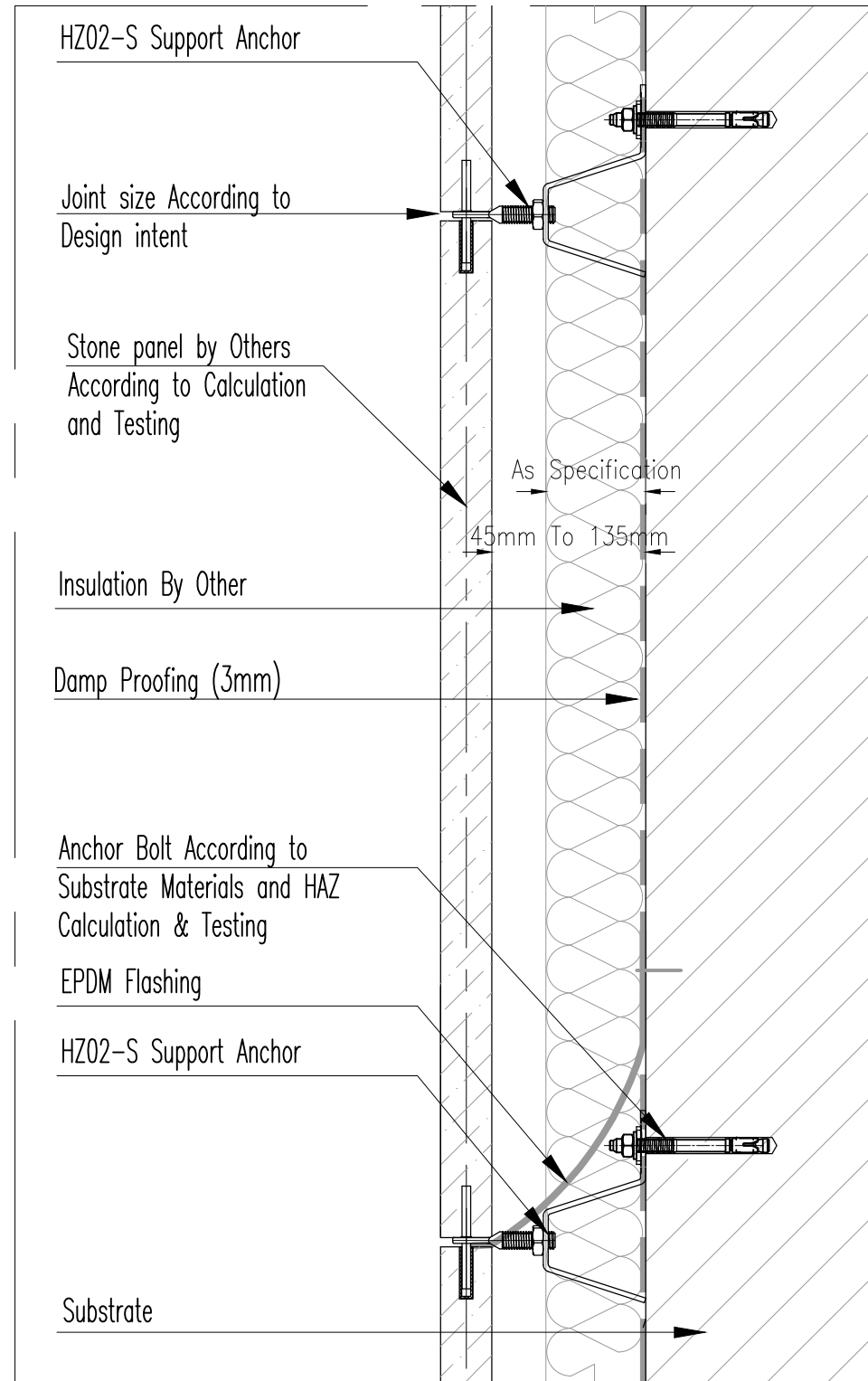
Drawing No. HAZCD-HRS01-ST-02

Series Concept Drawings - Natural Stone Fixing System - HRS01 Restraint Anchor

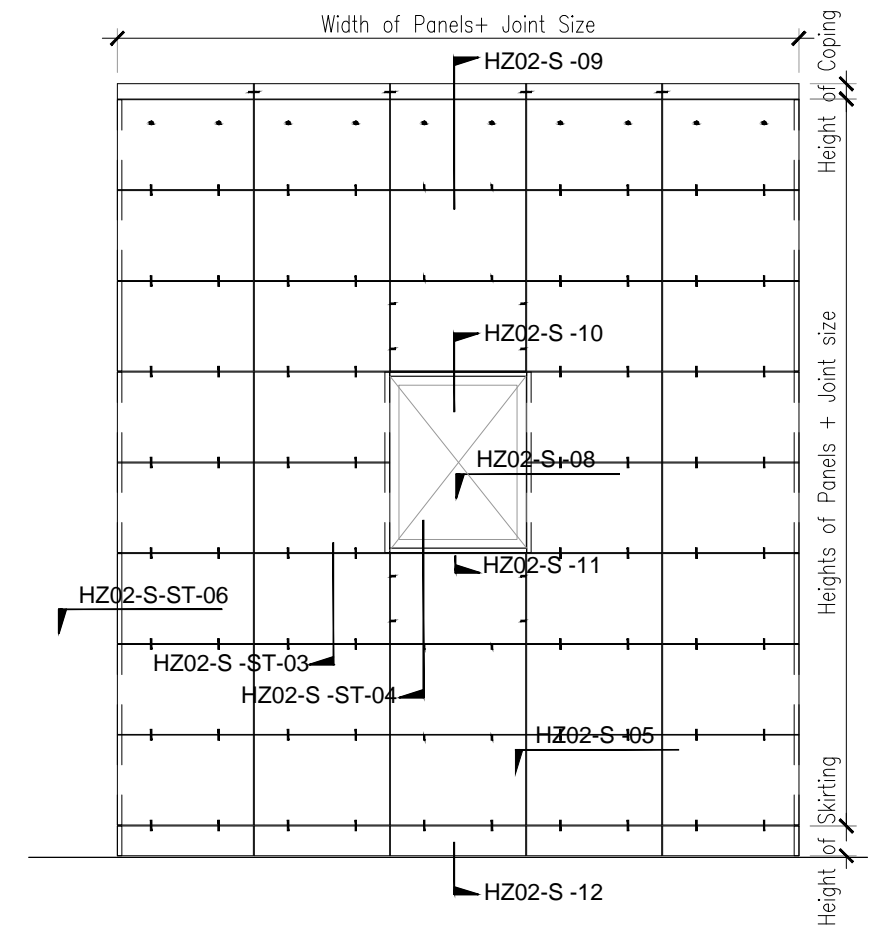
Revision 01 scale As Shown

Page : 2/13

HZ02-S



Vertical section Scale 1:4



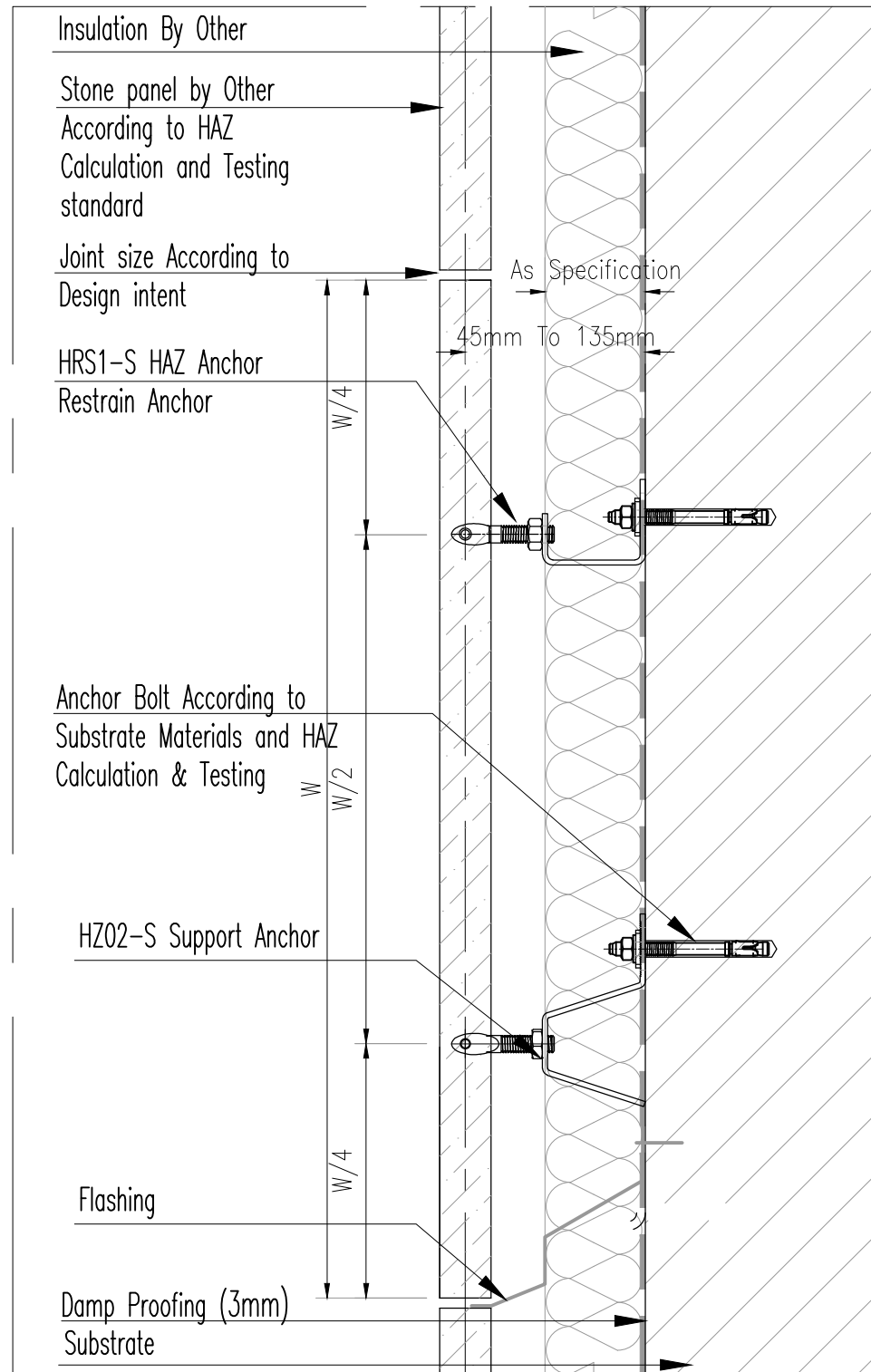
Elevation Scale 1:50



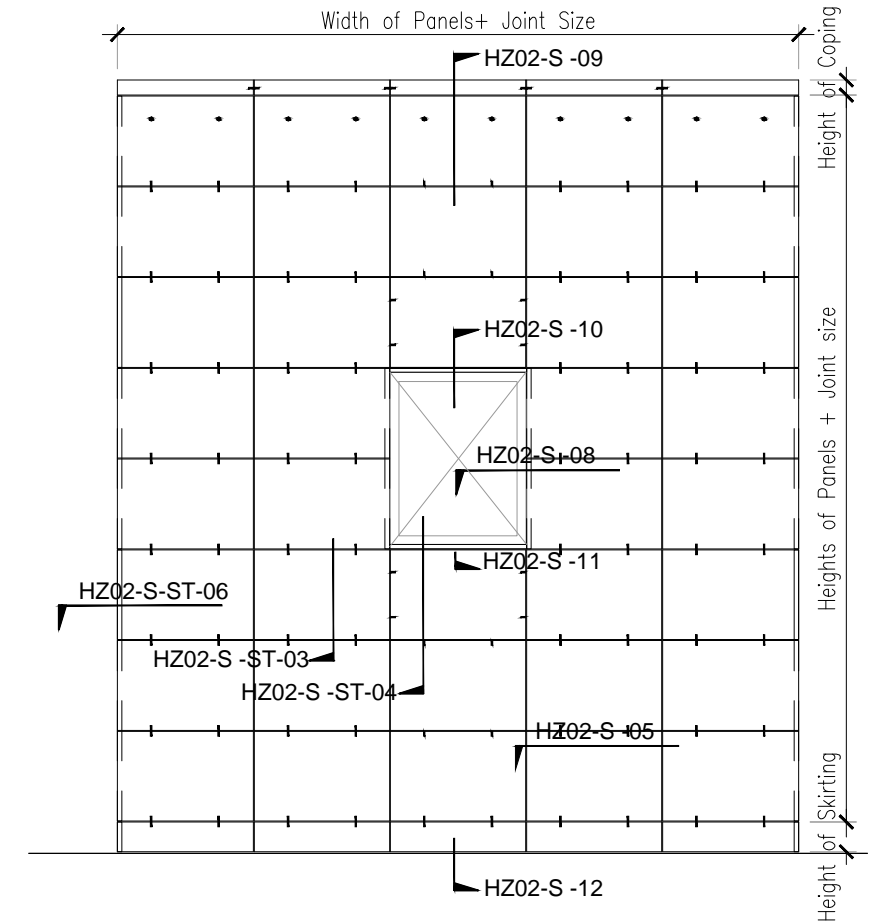
HAZ METAL Sanayi ve Ticaret A.S
 PO Box 241 31200 Iskenderun / Turkey
 Tel: +90 326 6262050 Faks: 6262045
 info@hazmetal.com / www.hazmetal.com.

Title :		Horizontal Joint Installation - Typical Stone Claddings / Rain Screen - Vertical Section		
Drawing No.	HAZCD-HZ02-S-ST-03			
Series	Concept Drawings - Natural Stone Fixing System - HZ02-S Support Anchors			
Revision	01	scale	As Shown	Page : 3/13

HZ02-S



Vertical section Scale 1:4



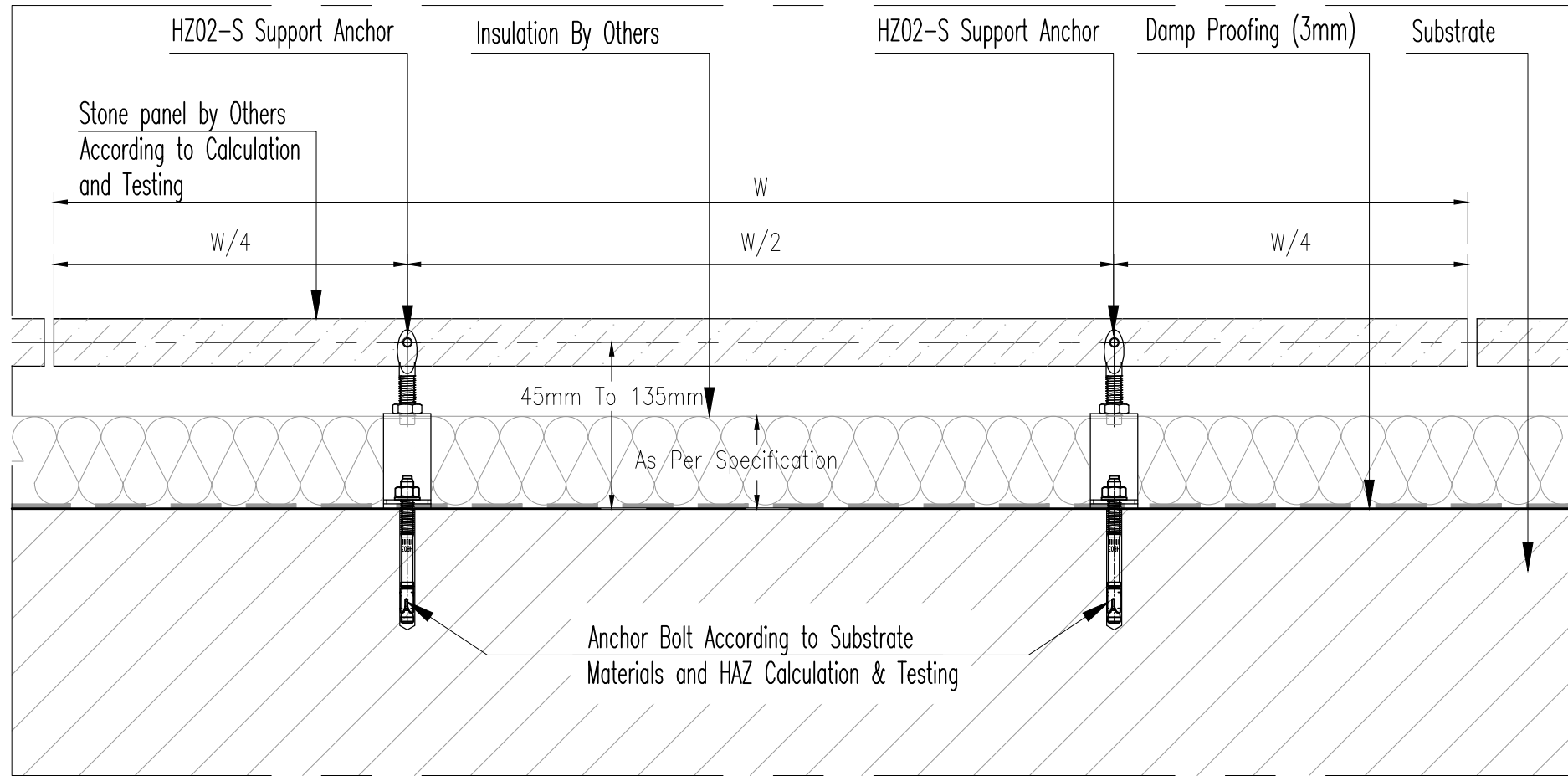
Elevation Scale 1:50



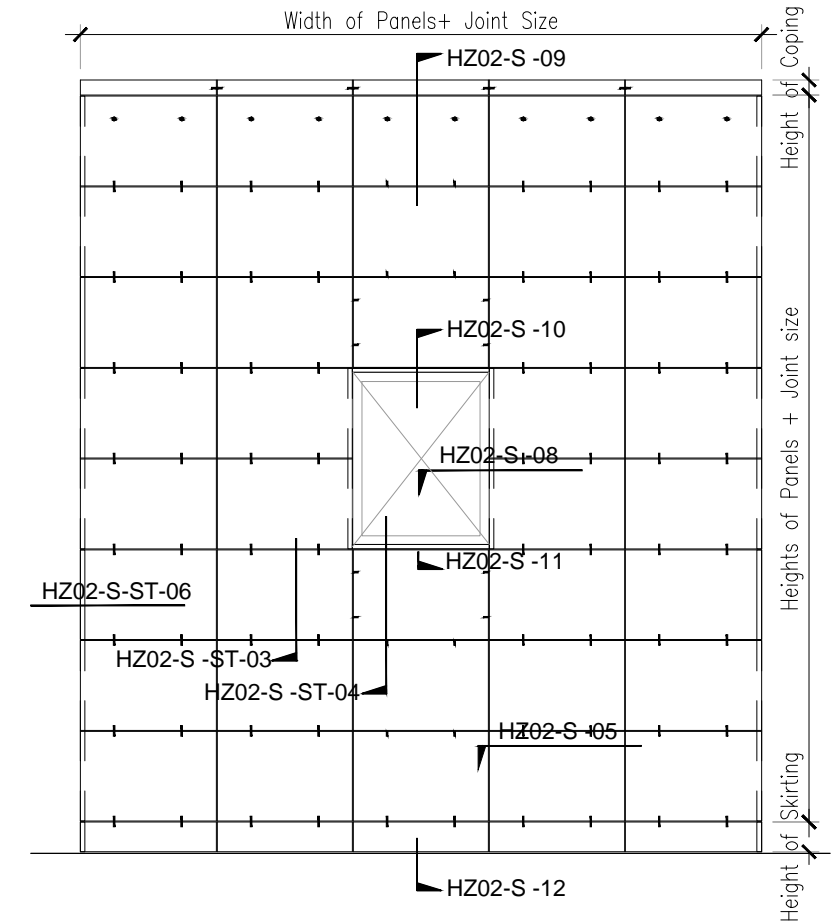
HAZ METAL Sanayi ve Ticaret A.S
 PO Box 241 31200 Iskenderun / Turkey
 Tel: +90 326 6262050 Faks: 6262045
 info@hazmetal.com / www.hazmetal.com.

Title :		Vertical Joint Installation - Typical Stone Claddings / Rain Screen - Vertical Section		
Drawing No.	HAZCD-HZ02-S-ST-04			
Series	Concept Drawings - Natural Stone Fixing System - HZ02-S Support Anchors			
Revision	01	scale	As Shown	Page : 4/13

HZ02-S



Horizontal section Scale 1:4



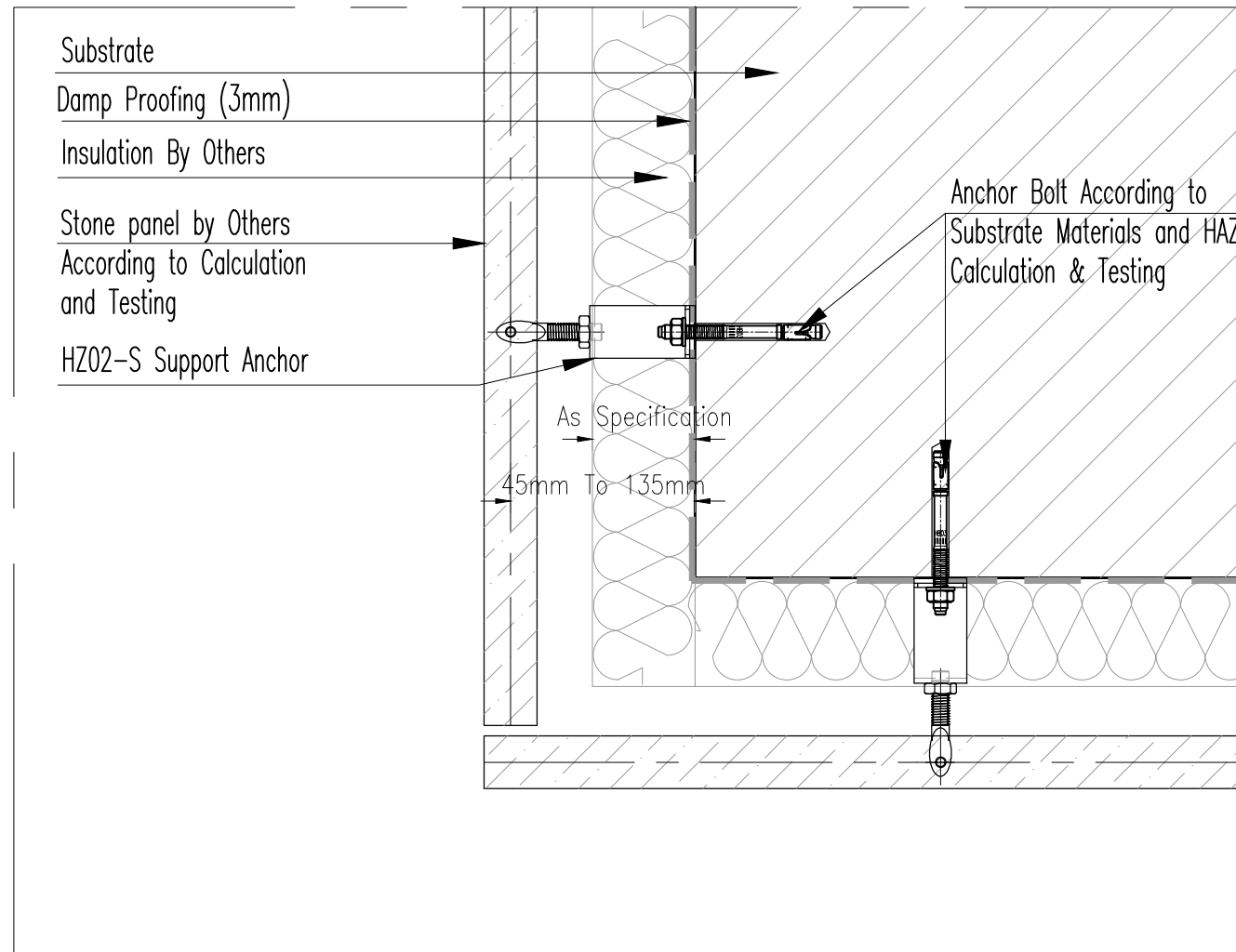
Elevation Scale 1:50



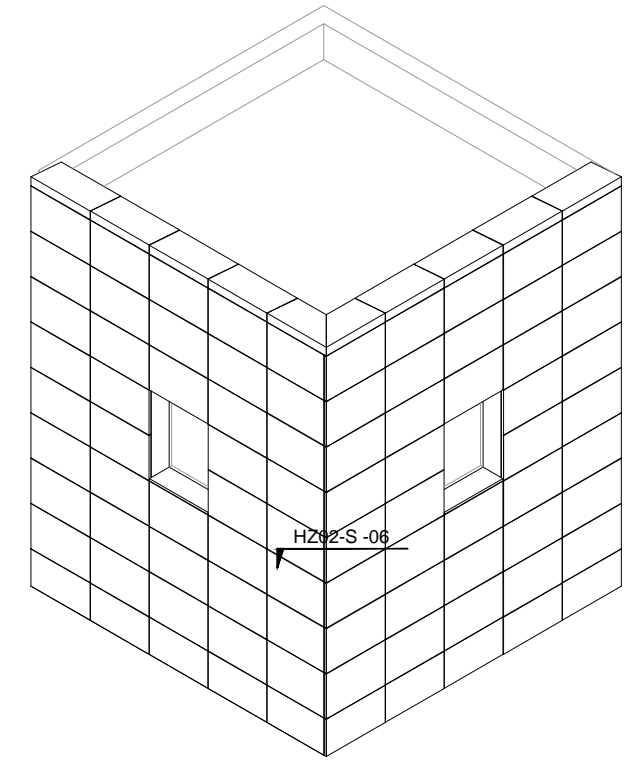
HAZ METAL Sanayi ve Ticaret A.S
 PO Box 241 31200 Iskenderun / Turkey
 Tel: +90 326 6262050 Faks: 6262045
 info@hazmetal.com / www.hazmetal.com.

Title :		Horizontal Joint Installation - Typical Stone Claddings / Rain Screen - Horizontal Section		
Drawing No.	HAZCD-HZ02-S-ST-05			
Series	Concept Drawings - Natural Stone Fixing System - HZ02-S Support Anchors			
Revision	01	scale	As Shown	Page : 5/13

HZ02-S



Horizontal section Scale 1:4



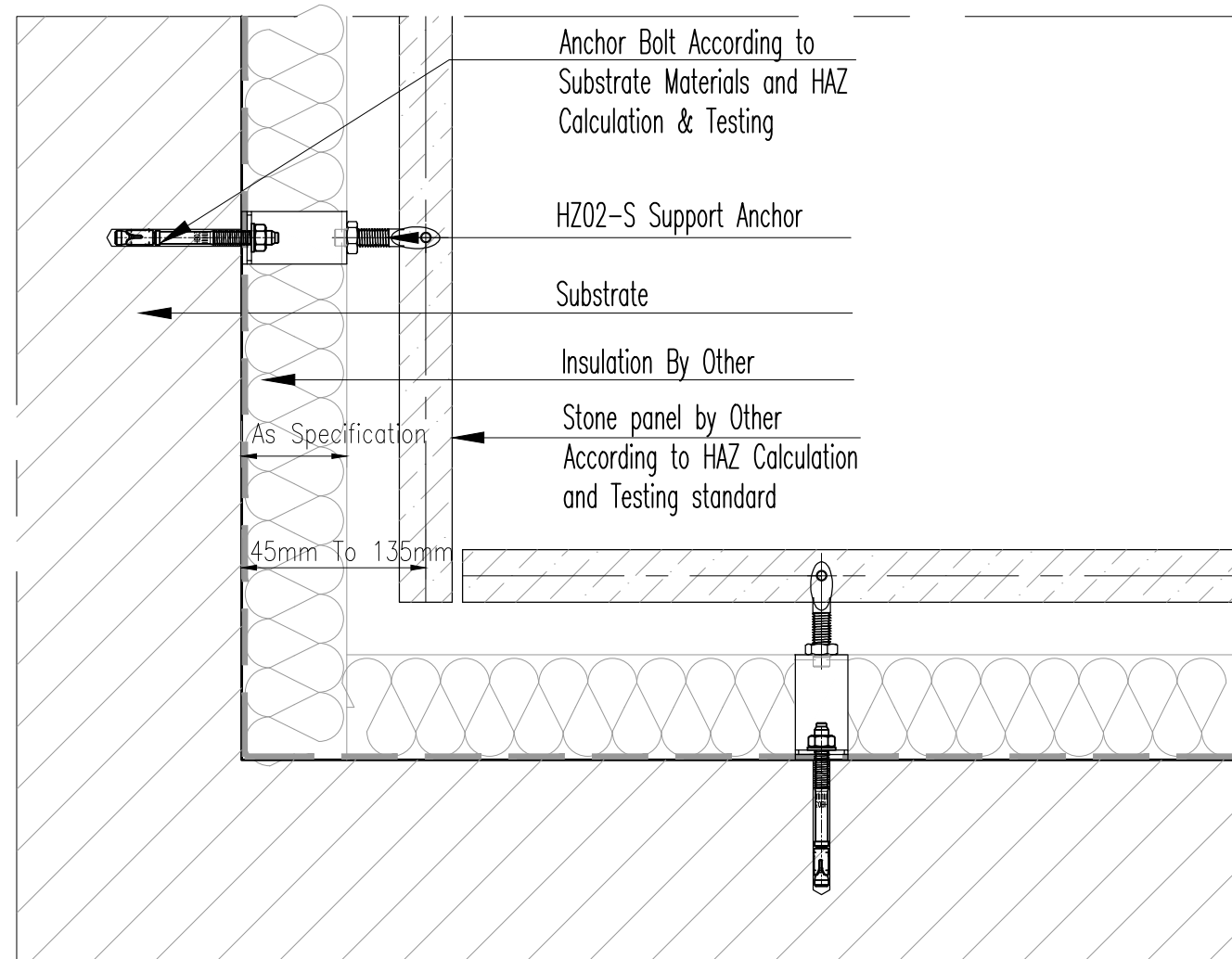
Isometric Scale 1:100



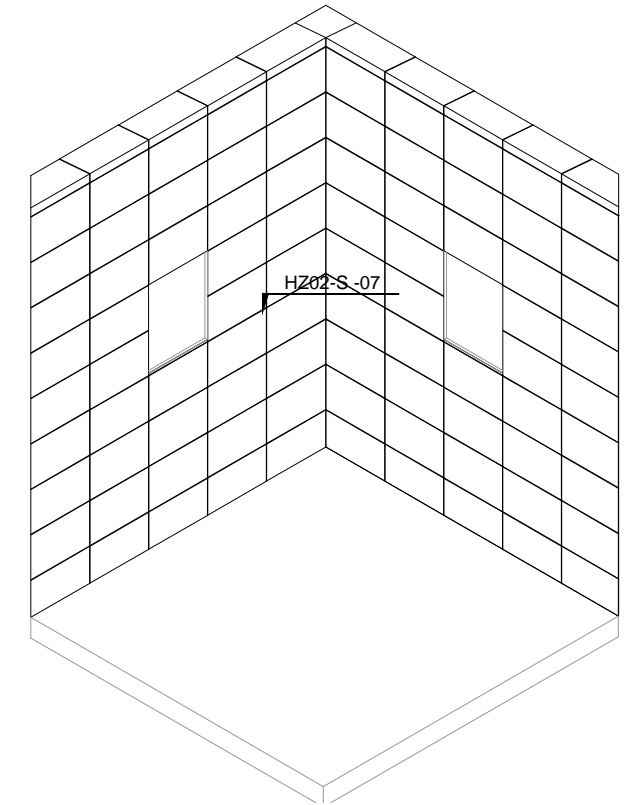
HAZ METAL Sanayi ve Ticaret A.S
 PO Box 241 31200 Iskenderun / Turkey
 Tel: +90 326 6262050 Faks: 6262045
 info@hazmetal.com / www.hazmetal.com.

Title :		Horizontal Joint Installation - External Corner Stone Cladding - Horizontal Section		
Drawing No.		HAZCD-HZ02-S-ST-06		
Series		Concept Drawings - Natural Stone Fixing System - HZ02-S Support Anchors		
Revision		01	scale	As Shown
				Page : 6/13

HZ02-S



Horizontal section Scale 1:4



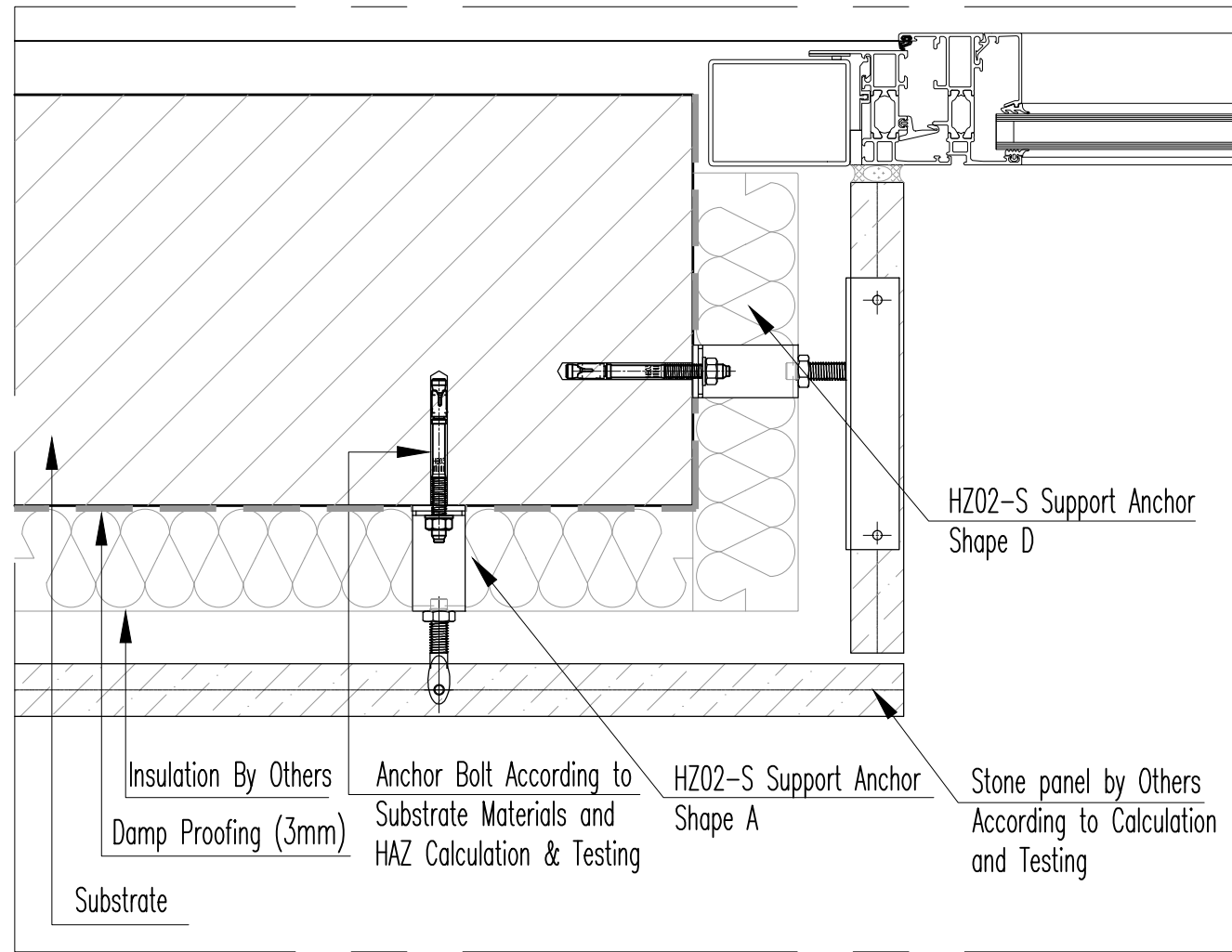
Isometric Scale 1:100



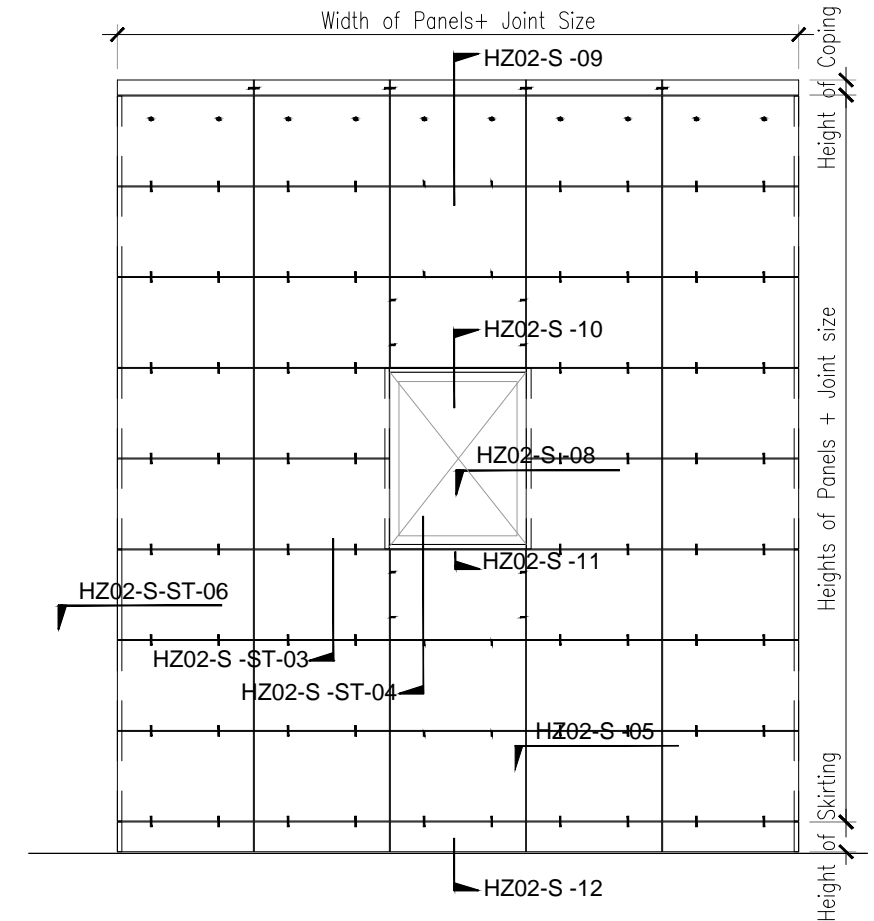
HAZ METAL Sanayi ve Ticaret A.S
 PO Box 241 31200 Iskenderun / Turkey
 Tel: +90 326 6262050 Faks: 6262045
 info@hazmetal.com / www.hazmetal.com.

Title :		Horizontal Joint Installation - Internal Corner Stone Cladding - Horizontal Section		
Drawing No.	HAZCD-HZ02-S-ST-07			
Series	Concept Drawings - Natural Stone Fixing System - HZ02-S Support Anchors			
Revision	01	scale	As Shown	Page : 7/13

HZ02-S



Horizontal section Scale 1:4



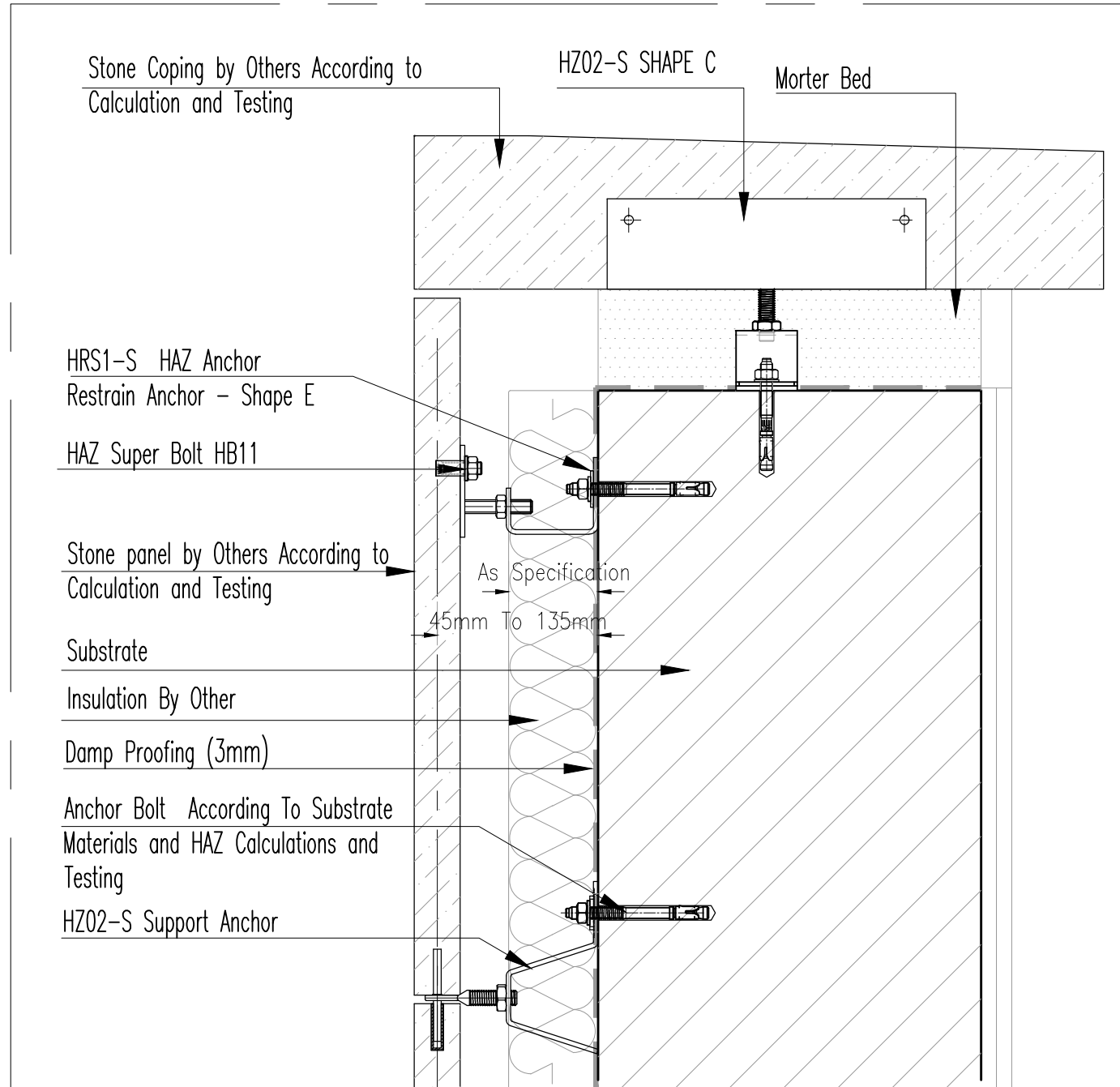
Elevation Scale 1:50



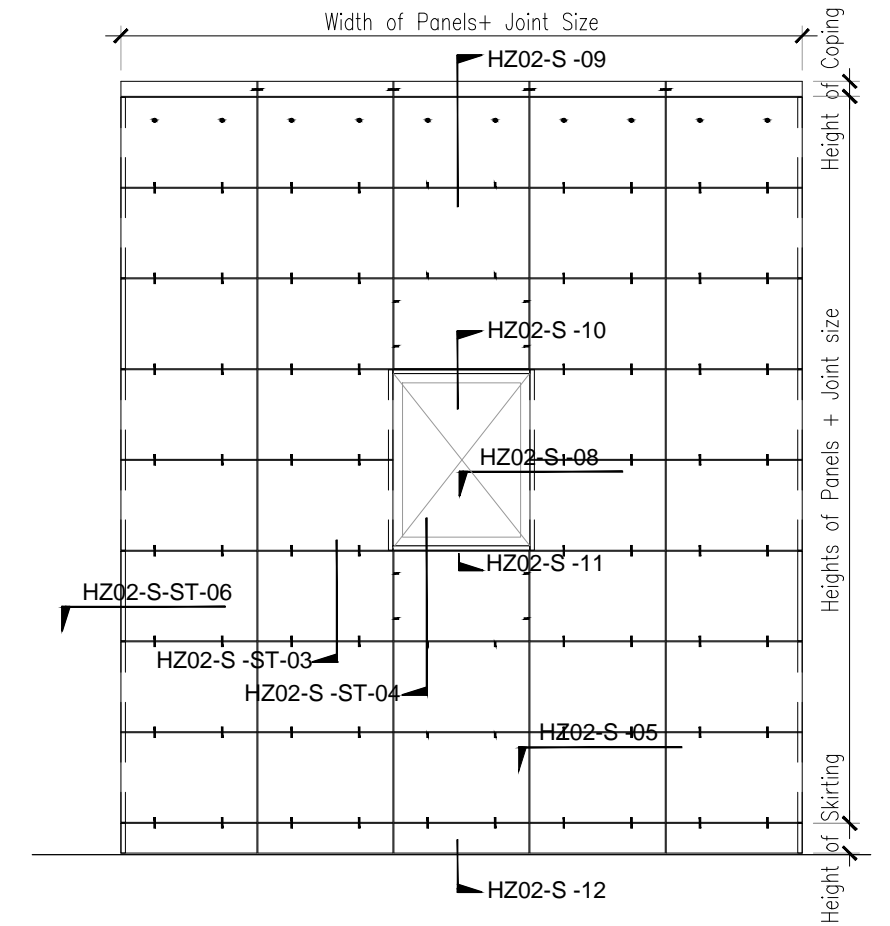
HAZ METAL Sanayi ve Ticaret A.S
 PO Box 241 31200 Iskenderun / Turkey
 Tel: +90 326 6262050 Faks: 6262045
 info@hazmetal.com / www.hazmetal.com.

Title :		Horizontal Joint Installation - Stone Reveal - Horizontal Section		
Drawing No.	HAZCD-HZ02-S-ST-08			
Series	Concept Drawings - Natural Stone Fixing System - HZ02-S Support Anchors			
Revision	01	scale	As Shown	Page : 8/13

HZ02-S



Vertical section Scale 1:4



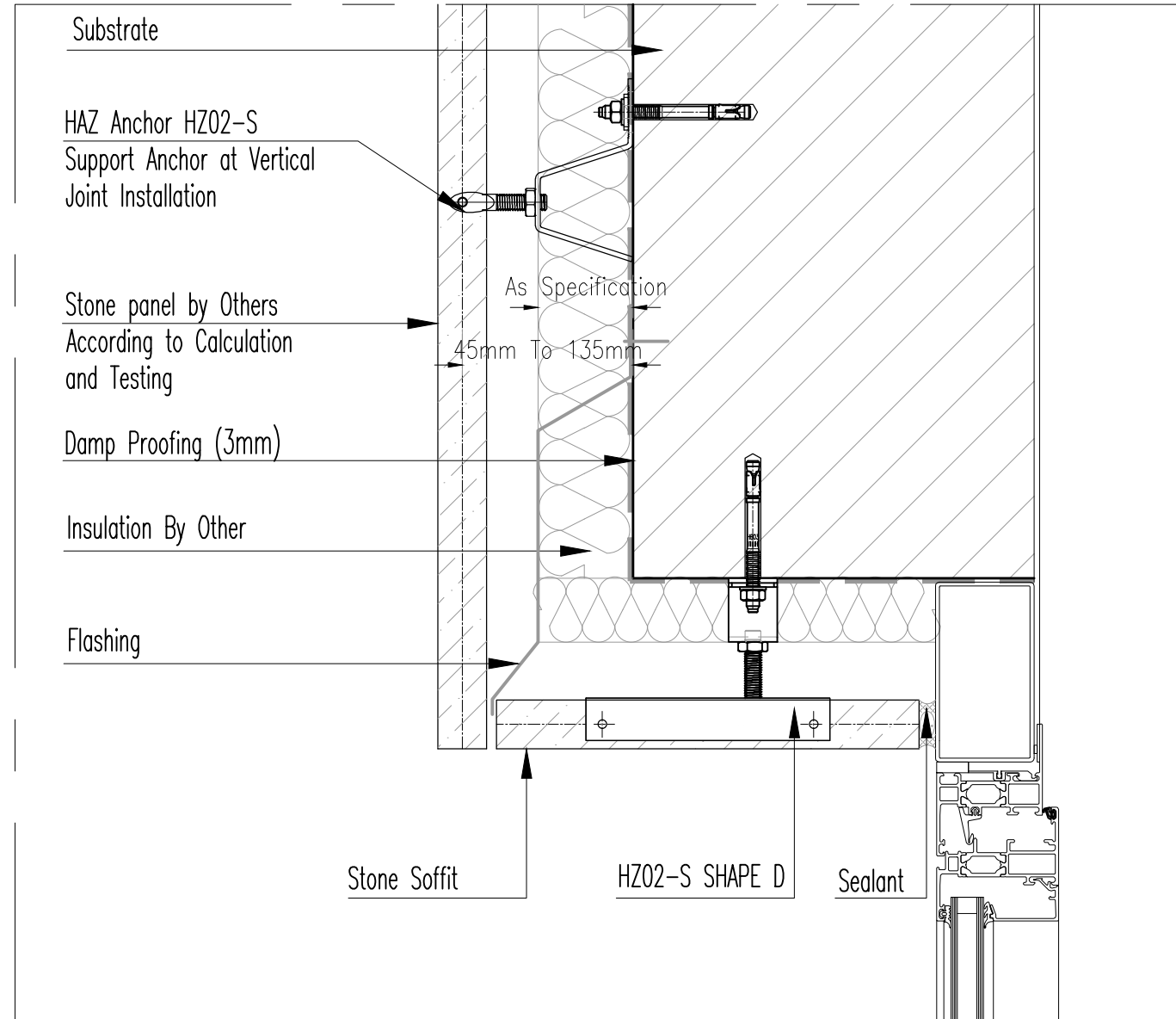
Elevation Scale 1:50



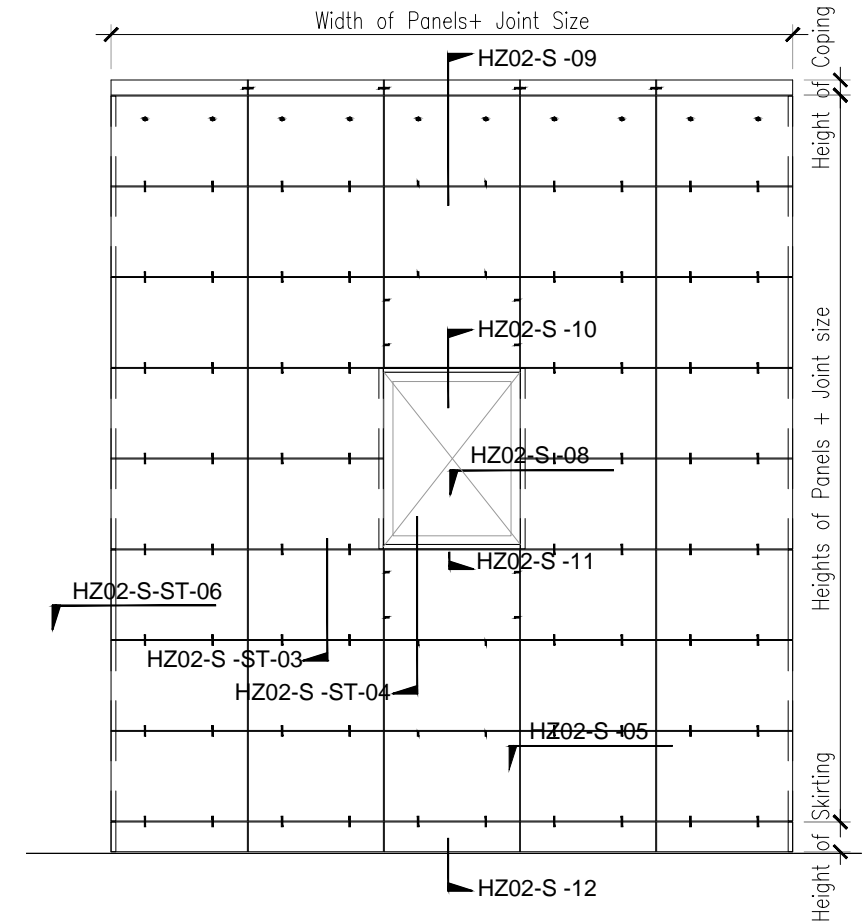
HAZ METAL Sanayi ve Ticaret A.S
 PO Box 241 31200 Iskenderun / Turkey
 Tel: +90 326 6262050 Faks: 6262045
 info@hazmetal.com / www.hazmetal.com.

Title :		Horizontal Joint Installation - Stone Coping - Vertical Section		
Drawing No.	HAZCD-HZ02-S-ST-09			
Series	Concept Drawings - Natural Stone Fixing System - HZ02-S Support Anchors			
Revision	01	scale	As Shown	Page : 9/13

HZ02-S



Vertical section Scale 1:4



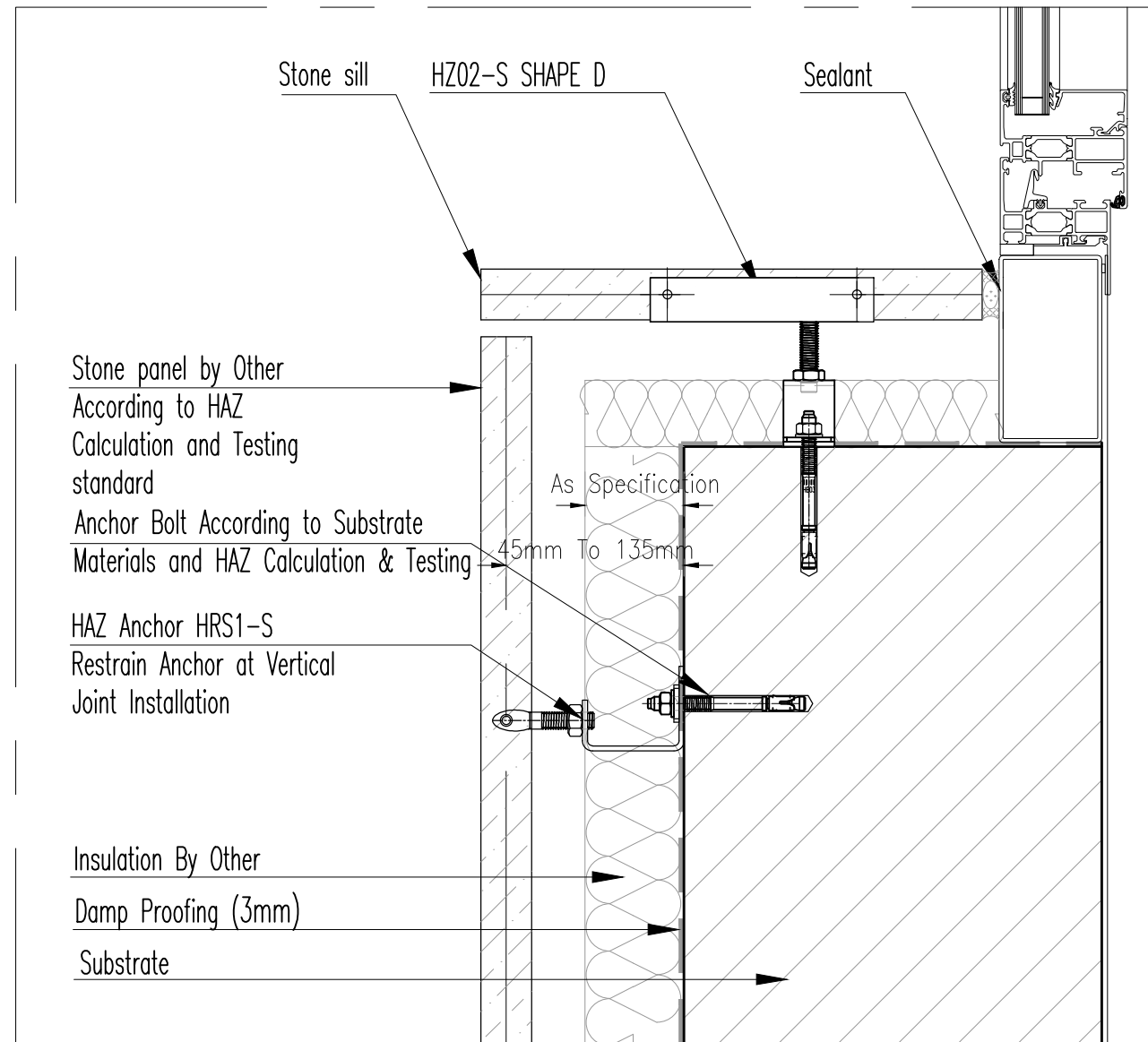
Elevation Scale 1:50



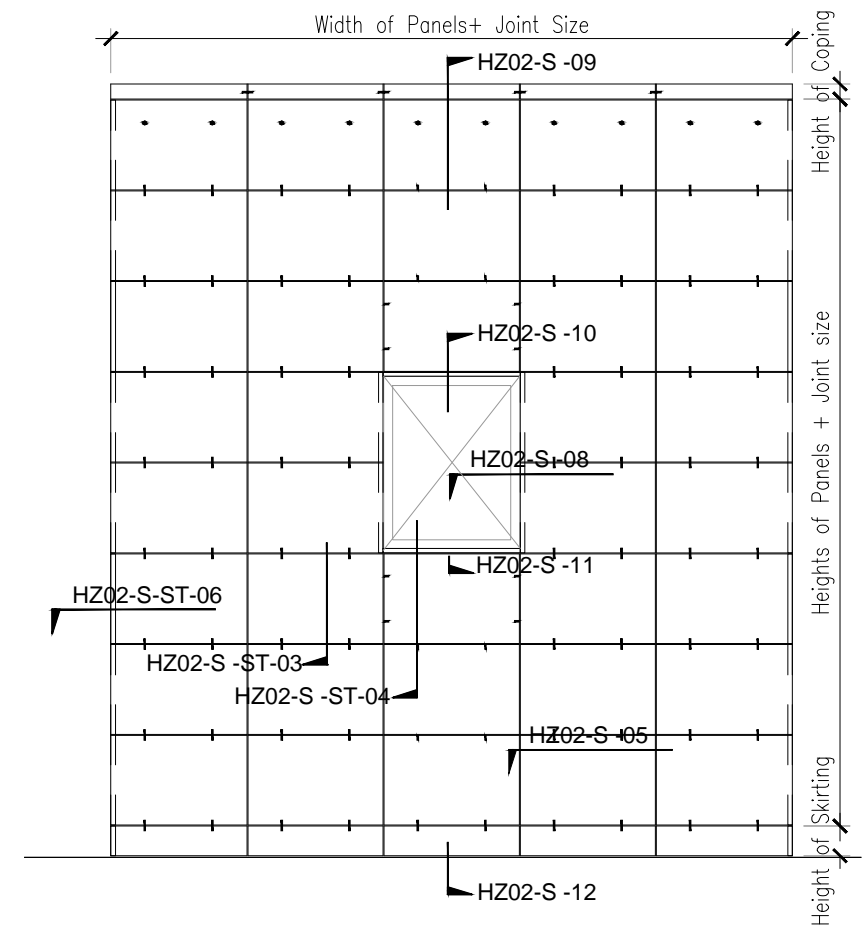
HAZ METAL Sanayi ve Ticaret A.S
 PO Box 241 31200 Iskenderun / Turkey
 Tel: +90 326 6262050 Faks: 6262045
 info@hazmetal.com / www.hazmetal.com.

Title :		Horizontal Joint Installation - Stone Soffit - Vertical Section		
Drawing No.	HAZCD-HZ02-S-ST-10			
Series	Concept Drawings - Natural Stone Fixing System - HZ02-S Support Anchors			
Revision	01	scale	As Shown	Page : 10/13

HZ02-S



Vertical section Scale 1:4



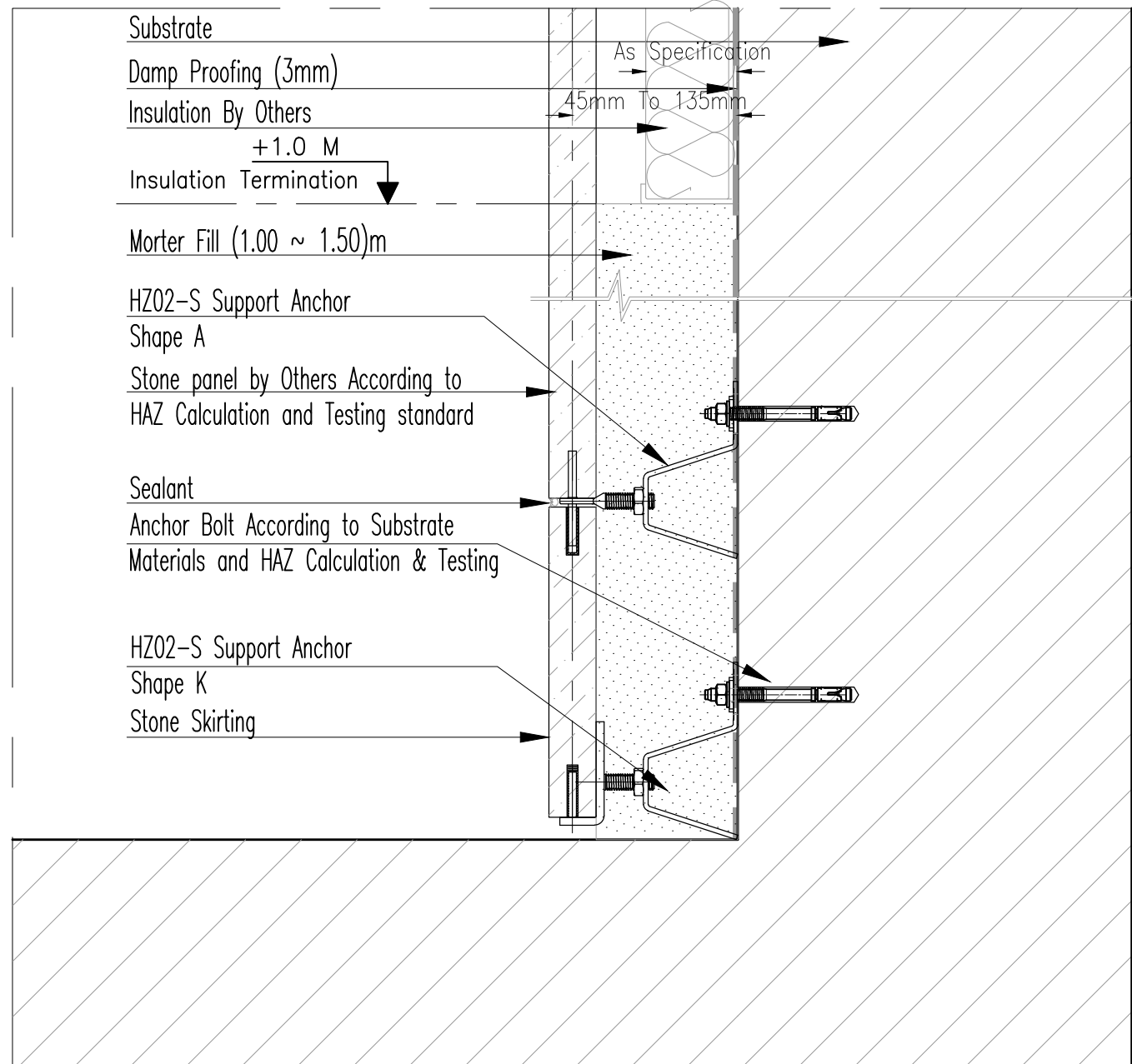
Elevation Scale 1:50



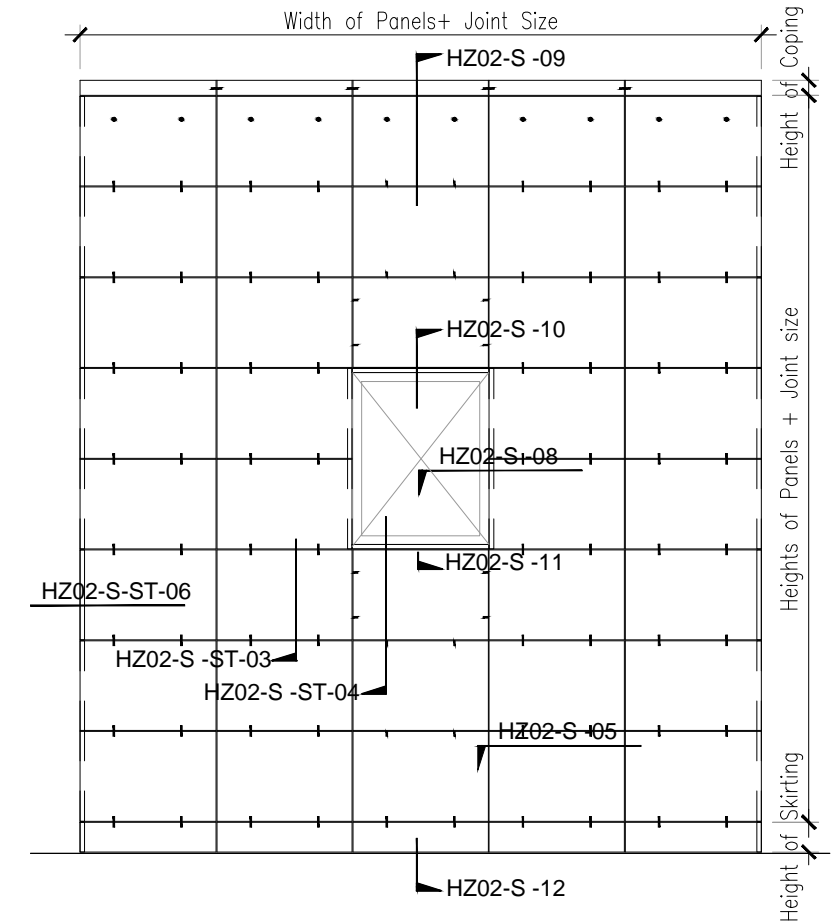
HAZ METAL Sanayi ve Ticaret A.S
 PO Box 241 31200 Iskenderun / Turkey
 Tel: +90 326 6262050 Faks: 6262045
 info@hazmetal.com / www.hazmetal.com.

Title :		Horizontal Joint Installation - Stone Sill - Vertical Section		
Drawing No.		HAZCD-HZ02-S-ST-11		
Series		Concept Drawings - Natural Stone Fixing System - HZ02-S Support Anchors		
Revision		01	scale	As Shown
Page :				11/13

HZ02-S



Vertical section Scale 1:4



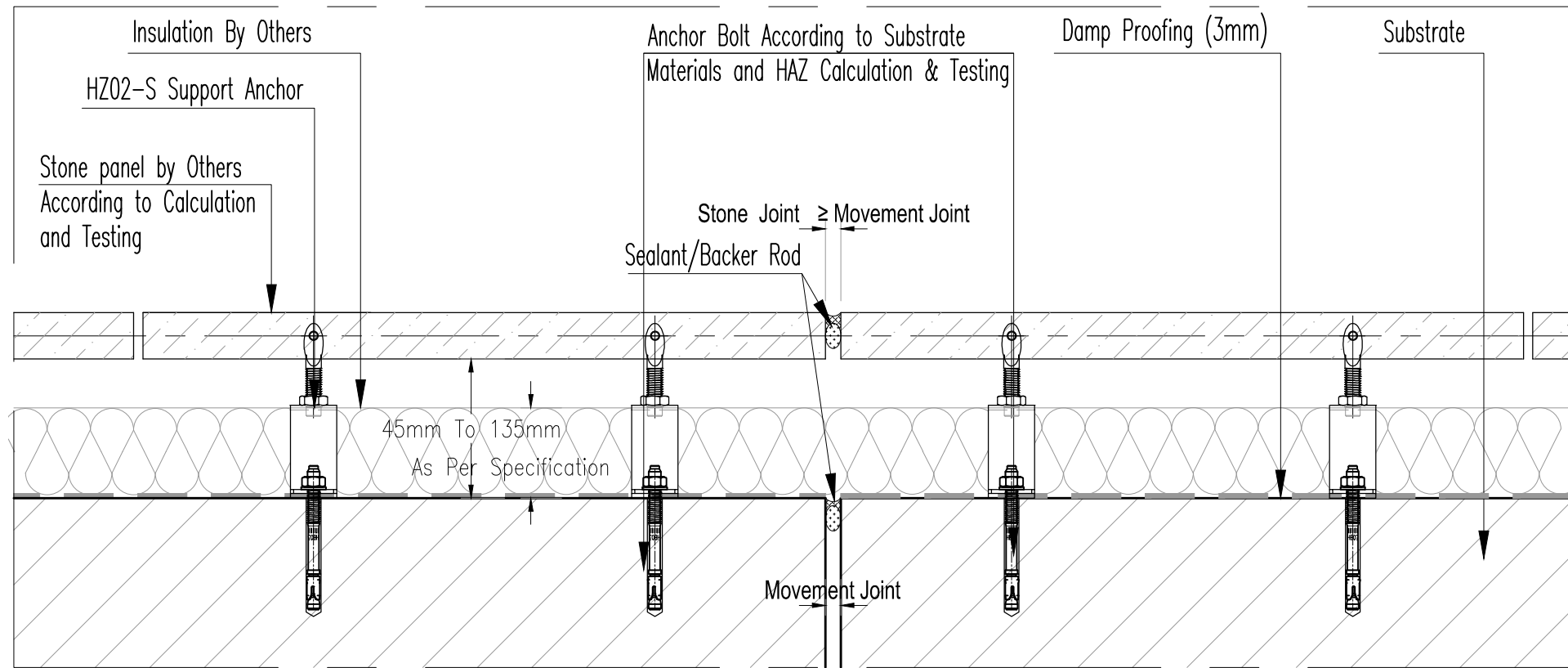
Elevation Scale 1:50



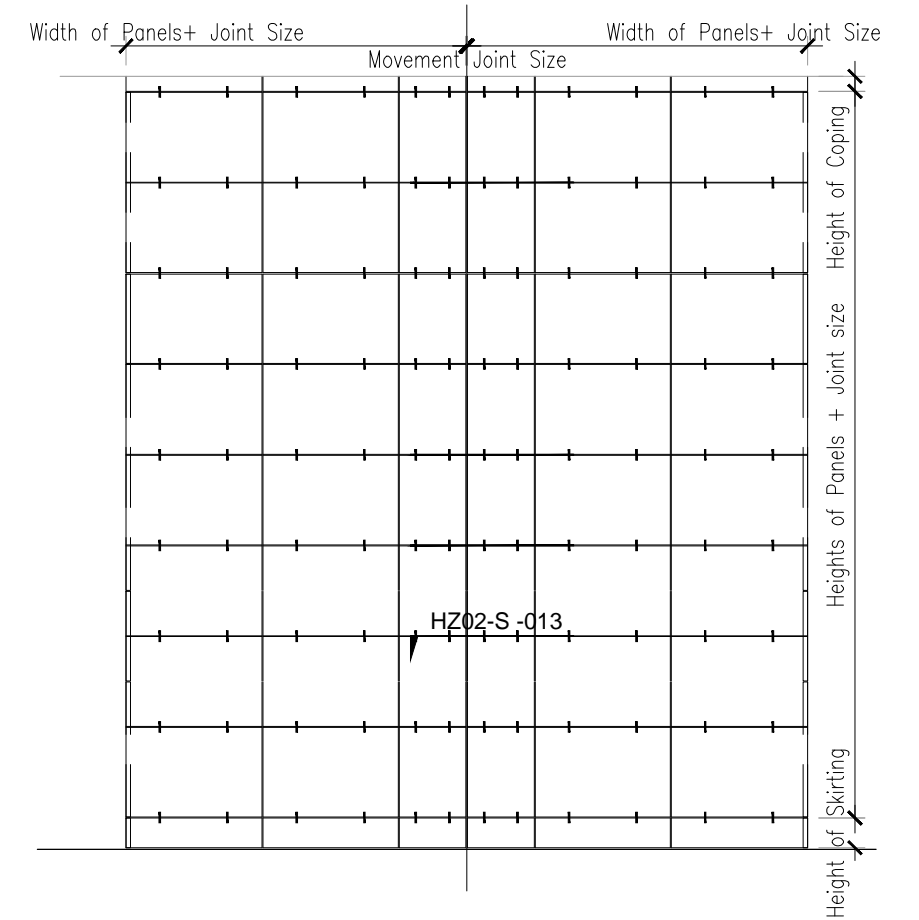
HAZ METAL Sanayi ve Ticaret A.S
 PO Box 241 31200 Iskenderun / Turkey
 Tel: +90 326 6262050 Faks: 6262045
 info@hazmetal.com / www.hazmetal.com.

Title :		Horizontal Joint Installation - Stone Skirting - Vertical Section		
Drawing No.		HAZCD-HZ02-S-ST-12		
Series		Concept Drawings - Natural Stone Fixing System - HZ02-S Support Anchors		
Revision		01	scale	As Shown
Page :				12/13

HZ02-S



Horizontal section Scale 1:4



Variation on Typical Elevation Scale 1:50



HAZ METAL Sanayi ve Ticaret A.S
 PO Box 241 31200 Iskenderun / Turkey
 Tel: +90 326 6262050 Faks: 6262045
 info@hazmetal.com / www.hazmetal.com.

Title :		Horizontal Joint Installation - Typical Stone Claddings - Movement Joint - Horizontal Section		
Drawing No.	HAZCD-HZ02-S-ST-13			
Series	Concept Drawings - Natural Stone Fixing System - HZ02-S Support Anchors			
Revision	01	scale	As Shown	Page : 13/13